

NOTES:

1. SUBSTRATE: ALUMINUM 6061-T6

2. COATING  
ULTRAFAST ENHANCED SILVER

R(AVG) > 99% @ 600 - 1000nm  
 Rs > 99% @ 540 - 1000nm  
 Rp > 98.5% @ 730 - 870nm  
 GDD (typical): 0±20fs² @ 600 - 1050nm

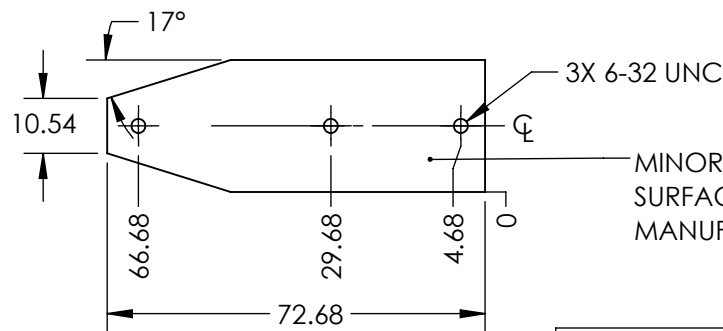
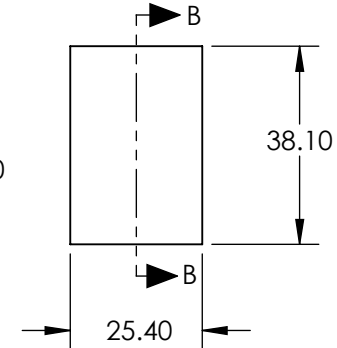
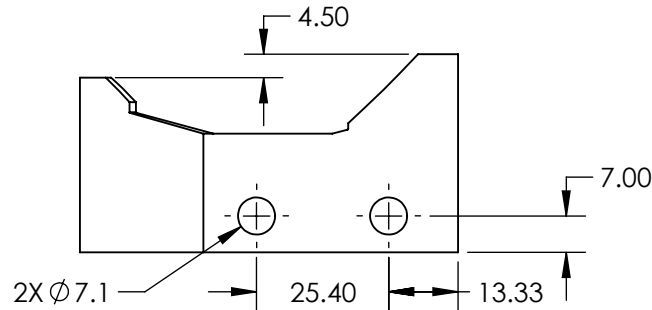
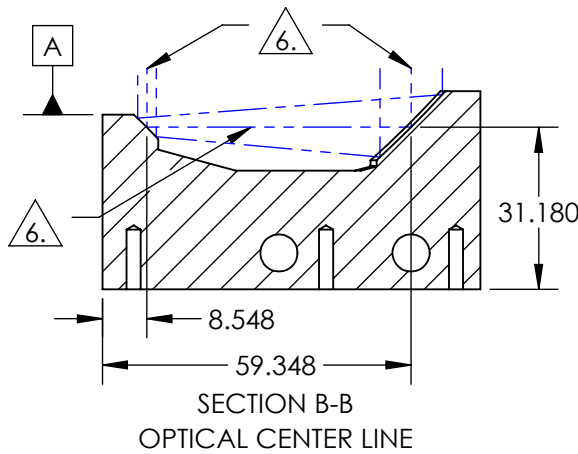
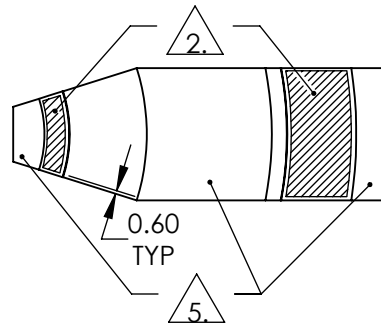
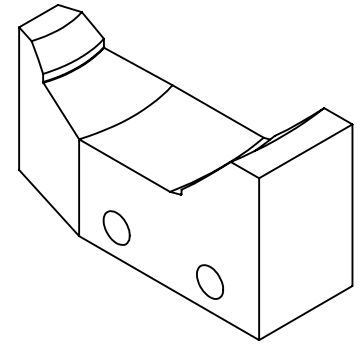
3. SURFACE ROUGHNESS: <50 Å RMS

4. SYSTEM SHALL BE ALIGNED TO DATUM [A] WITH REFLECTED WAVEFRONT ERROR OF ≤ 1/10 WAVE AT 632.8 nm FOR Ø 1mm INPUT BEAM.

5. INTEGRATED ALIGNMENT FLATS

6. OPTICAL CENTER LINE

7. RoHS COMPLIANT



MINOR SCRATCHES ON THE NON-OPTICAL SURFACE MIGHT BE PRESENT DUE TO THE MANUFACTURING PROCESS.

**FOR INFORMATION ONLY:  
DO NOT MANUFACTURE  
PARTS TO THIS DRAWING**

SPECIFICATIONS SUBJECT TO CHANGE WITHOUT NOTICE  
DIMENSIONS ARE FOR REFERENCE ONLY

**EO**® Edmund Optics®

	S1
SHAPE	MONOLITHIC
BEVEL	PROTECTIVE AS NEEDED

THIRD ANGLE PROJECTION	
ALL DIMS IN	mm

TITLE	3X, Ultrafast Silver Canopus Reflective Beam Expander		
DWG NO	13074	SHEET	1 OF 1