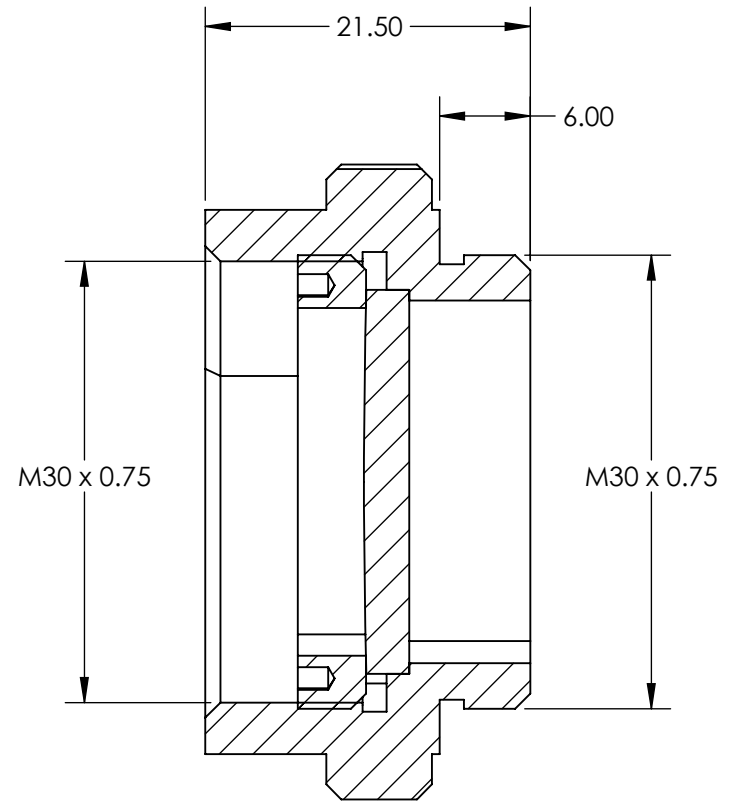
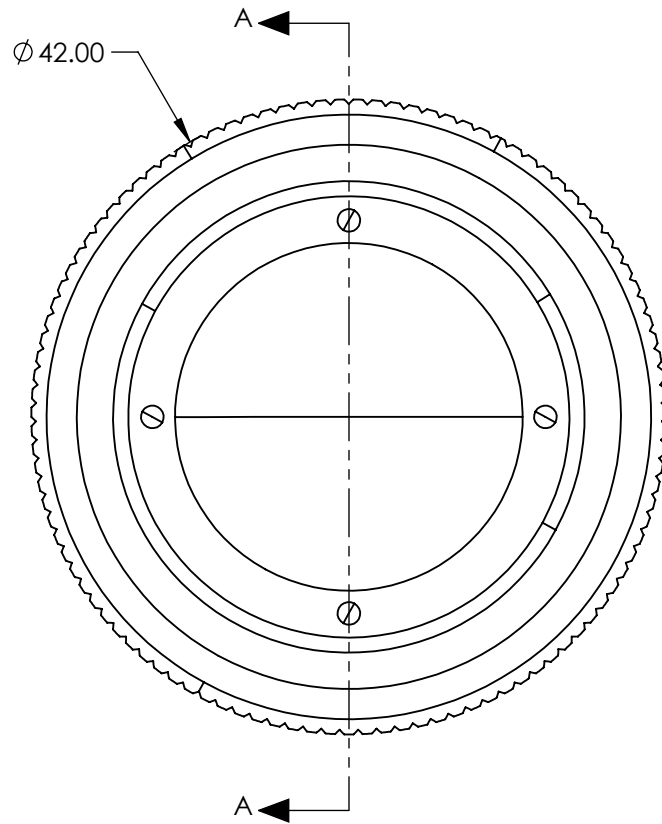


NOTES:

- 1. RoHS: COMPLIANT

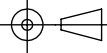


SECTION A-A

SPECIFICATIONS SUBJECT TO CHANGE WITHOUT NOTICE
DIMENSIONS ARE FOR REFERENCE ONLY

**FOR INFORMATION ONLY:
DO NOT MANUFACTURE
PARTS TO THIS DRAWING**

EO® Edmund Optics®

	VALUE	THIRD ANGLE PROJECTION 	TITLE	ALIGNMENT LENS Q	
FOCAL LENGTH (mm)	1000	ALL DIMS IN	DWG NO	13783	SHEET 1 OF 1
CLEAR APERTURE (mm)	$\varnothing 14$	mm			