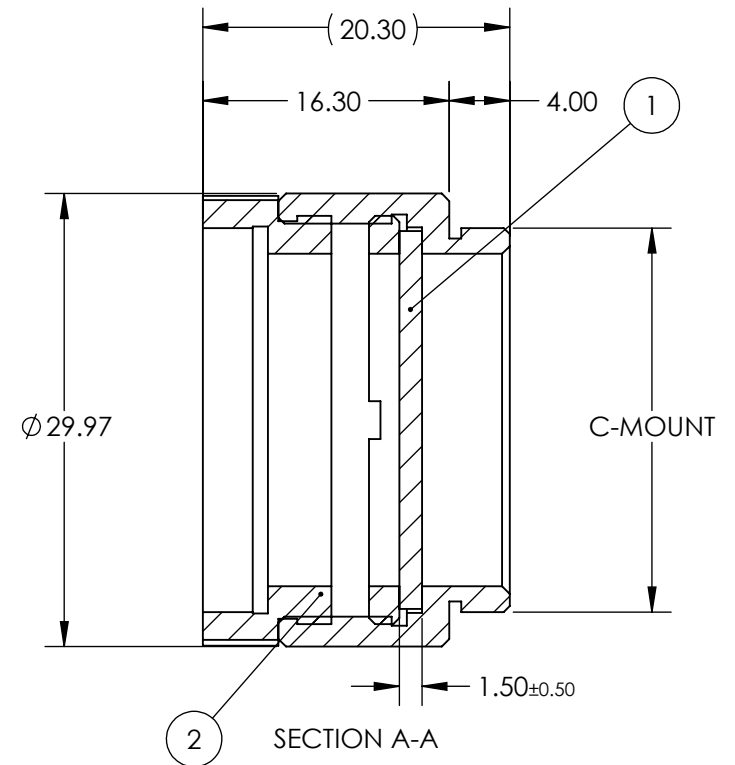
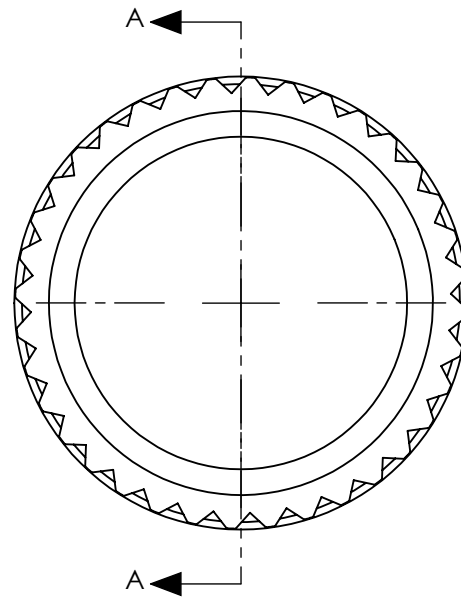


PART	PART #	MATERIAL
①	#48-091	Hoya ND-0.3
②	#56-353	Anodized Aluminum

**FOR INFORMATION ONLY:
DO NOT MANUFACTURE
PARTS TO THIS DRAWING**



SPECIFICATIONS SUBJECT TO CHANGE WITHOUT NOTICE
DIMENSIONS ARE FOR REFERENCE ONLY

FILTER SPECIFICATIONS	
CLEAR APERTURE (mm)	> $\phi 22.00$
TRANSMISSION	T (AVG) > 3% @ 400 - 700 nm
OPTICAL DENSITY	1.5 \pm 0.05
SURFACE QUALITY	80-50

THIRD ANGLE PROJECTION

ALL DIMS IN mm

 **Edmund Optics®**

TITLE

1.5 OD, 22mm CA, C-Mount Absorptive ND Filter

DWG NO

13023

SHEET
1 OF 1