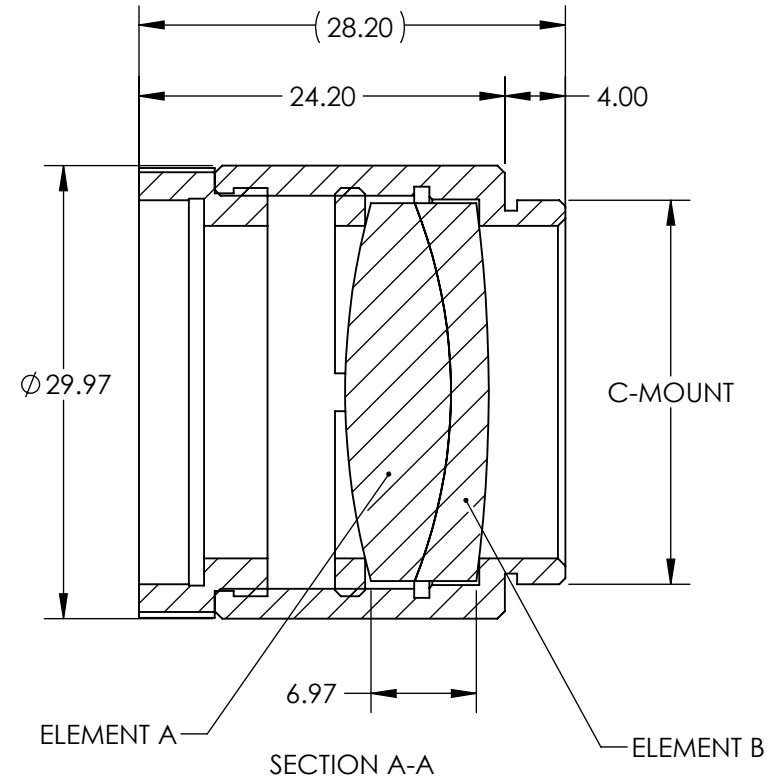
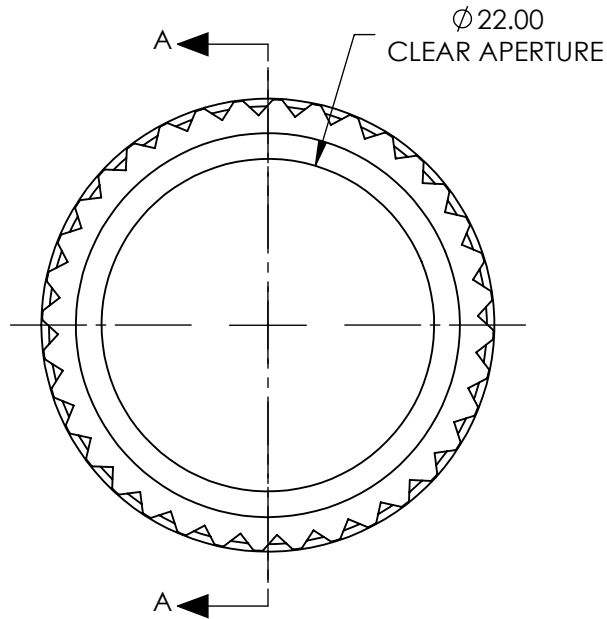


NOTES:

1. SUBSTRATE:  
ELEMENT A/ ELEMENT B  
N-BK7 / N-SF5
2. ROHS COMPLIANT
3. COATING (APPLY ACROSS COATING APERTURE)
4. S1 & S4: MgF2 (400-700nm)  
R(AVG)  $\leq 1.75\%$  @ 400 - 700nm
- S2 & S3: NONE
5. FOCAL LENGTH (EFL): 75.00  $\pm 2\%$   
FOCAL LENGTH (BFL) FROM MECHANICAL HOUSING: 65.24

**FOR INFORMATION ONLY:  
DO NOT MANUFACTURE  
PARTS TO THIS DRAWING**



SPECIFICATIONS SUBJECT TO CHANGE WITHOUT NOTICE  
DIMENSIONS ARE FOR REFERENCE ONLY

	ELEMENT A		ELEMENT B	
	S1	S2	S3	S4
SHAPE	CONVEX	CONVEX	CONCAVE	CONVEX
RADIUS	46.44	33.77	33.77	95.94
SURFACE QUALITY	40-20	40-20	40-20	40-20
POWER AT 632.8nm	1.5 $\lambda$	1.5 $\lambda$	1.5 $\lambda$	1.5 $\lambda$
IRREGULARITY AT 632.8nm	$\lambda/4$	$\lambda/4$	$\lambda/4$	$\lambda/4$

THIRD ANGLE PROJECTION

ALL DIMS IN

mm

**Edmund Optics<sup>®</sup>**

TITLE

22mm CA, 75mm FL, Mounted MgF2 Coated  
Achromatic Doublet Lens

DWG NO

13007

SHEET  
1 OF 1