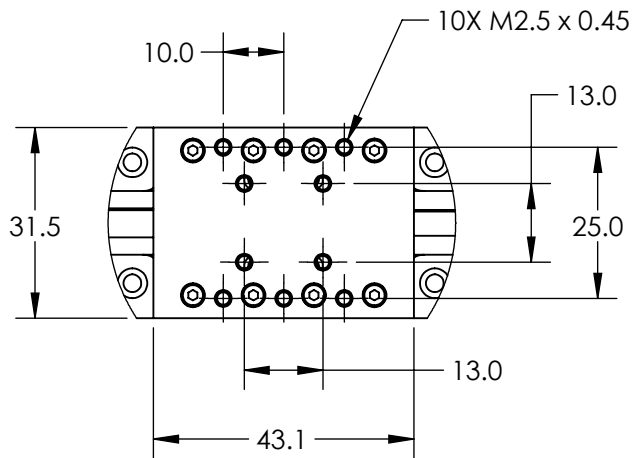
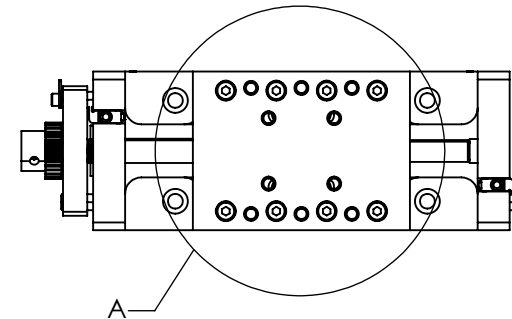
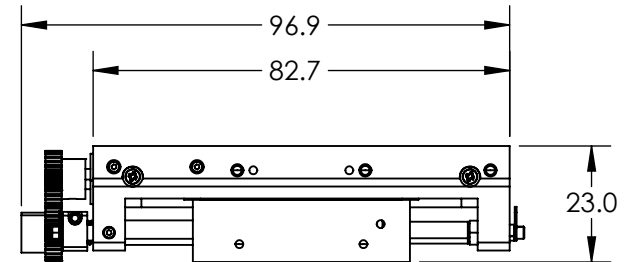
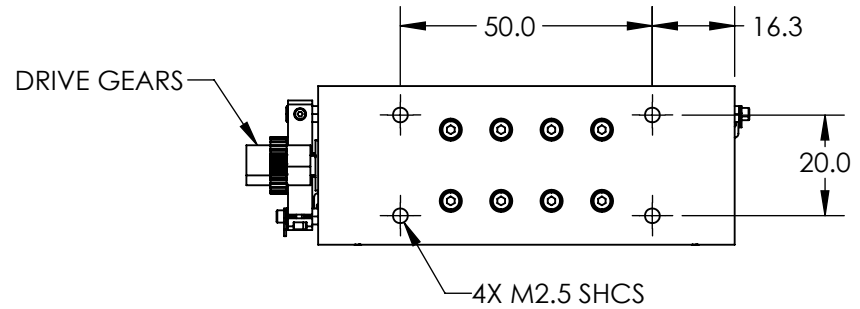


NOTES:

1. TYPE OF MOVEMENT: Single Axis
TRAVEL (mm) : 25
ACCURACY (um): ±1.0 per 25mm of travel
2. TYPE OF DRIVE: Precision Leadscrew
3. RESOLUTION (um): 0.4134
4. MAXIMUM RUNOUT (mm): 0.003 per Inch
5. STRAIGHTNESS / FLATNESS (um): ±2.0
6. PITCH: 80 TPI
7. REPEATABILITY (um): ±0.5
8. BACKLASH (um): 1.00
9. GEAR DRIVE RATIO: 16:1
SPEED (mm/s): 7.00
10. VACUUM COMPATIBILITY: 10-3 Torr



DETAIL A



**FOR INFORMATION ONLY:
DO NOT MANUFACTURE
PARTS TO THIS DRAWING**

SPECIFICATIONS SUBJECT TO
CHANGE WITHOUT NOTICE
DIMENSIONS ARE FOR
REFERENCE ONLY

EO® Edmund Optics®

THIRD ANGLE PROJECTION		TITLE	25mm Travel, Heavy Load, High Torque Folded Stage	
ALL DIMS IN	mm	DWG NO	55787	SHEET 1 OF 1