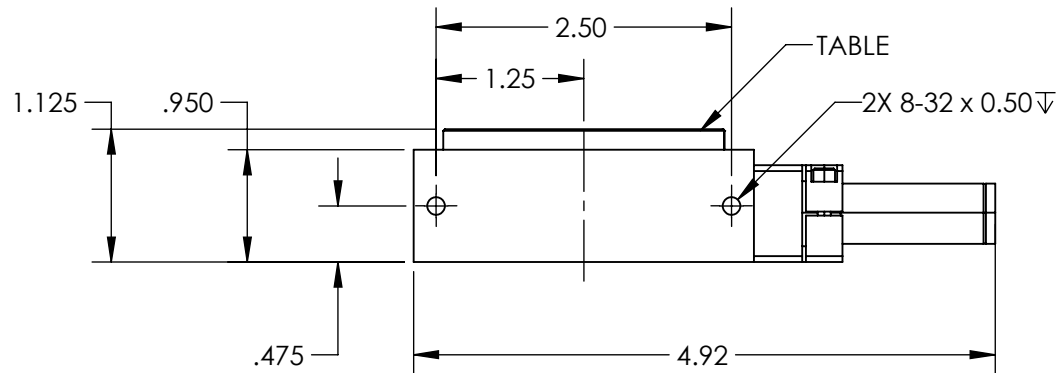
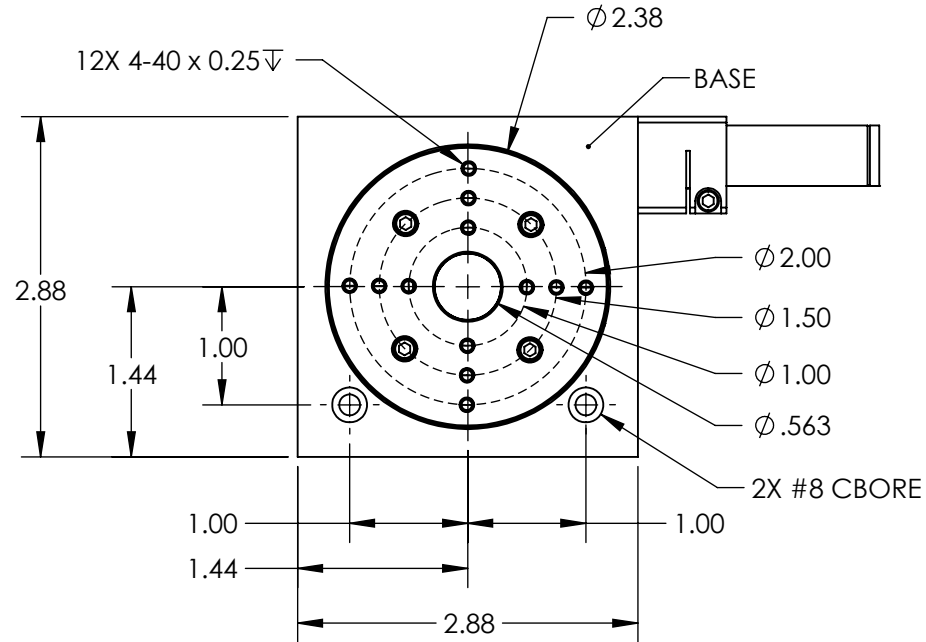


NOTES:

1. TYPE OF MOVEMENT: Rotary  
TRAVEL (°) : 360.00  
ACCURACY (°) ±0.02
2. TYPE OF DRIVE: Worm Gear
3. LOAD CAPACITY (kg): 4.5
4. RESOLUTION (arcsec): 97.2
5. MAXIMUM RUNOUT (um): ±2.5
6. STRAIGHTNESS/FLATNESS (um): ±2.0
7. PITCH: 90:1 worm drive
8. REPEATABILITY (arcsec): ±30
9. GEAR DRIVE RATIO: 14:1  
SPEED (°/s): 96  
FINAL OUTPUT RATIO: 1242:1
10. VACUUM COMPATIBILITY: 10-3 Torr



**FOR INFORMATION ONLY:  
DO NOT MANUFACTURE  
PARTS TO THIS DRAWING**

SPECIFICATIONS SUBJECT TO  
CHANGE WITHOUT NOTICE  
DIMENSIONS ARE FOR  
REFERENCE ONLY

**EO**® Edmund Optics®

THIRD ANGLE PROJECTION		TITLE	360° Travel, Heavy Load Stage, Rotary Type	
ALL DIMS IN	in	DWG NO	55327	SHEET 1 OF 1