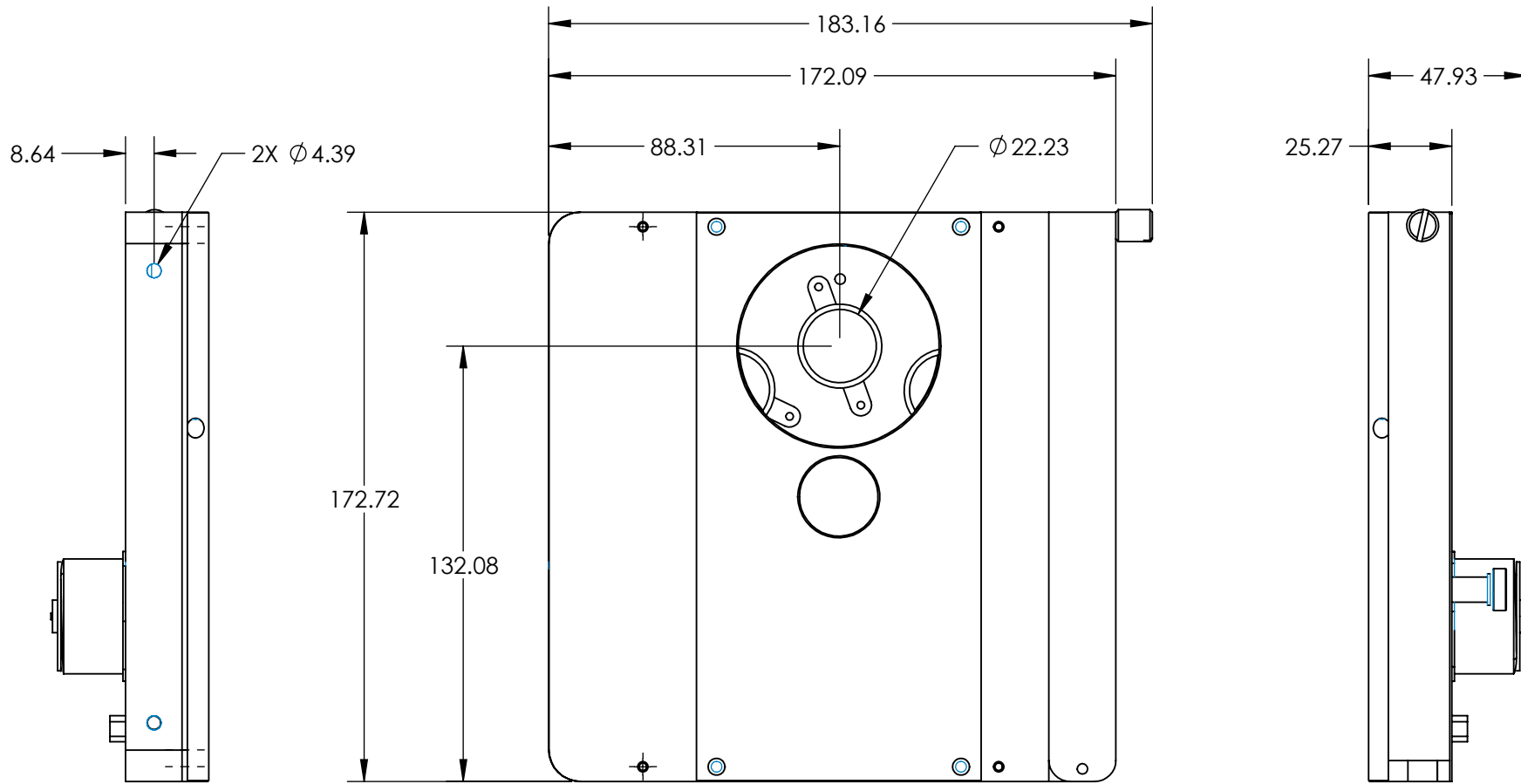


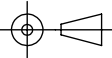
NOTES:
 1. RoHS: COMPLIANT



SPECIFICATIONS SUBJECT TO CHANGE WITHOUT NOTICE
 DIMENSIONS ARE FOR REFERENCE ONLY

**FOR INFORMATION ONLY:
 DO NOT MANUFACTURE
 PARTS TO THIS DRAWING**

EO® Edmund Optics®

| | | | | |
|--|----|--------|---|--------------|
| THIRD ANGLE PROJECTION  | | TITLE | RS-232 MOTORIZED FILTER WHEEL WITH HAND CONTROL | |
| ALL DIMS IN | mm | DWG NO | 59769 | SHEET 1 OF 1 |