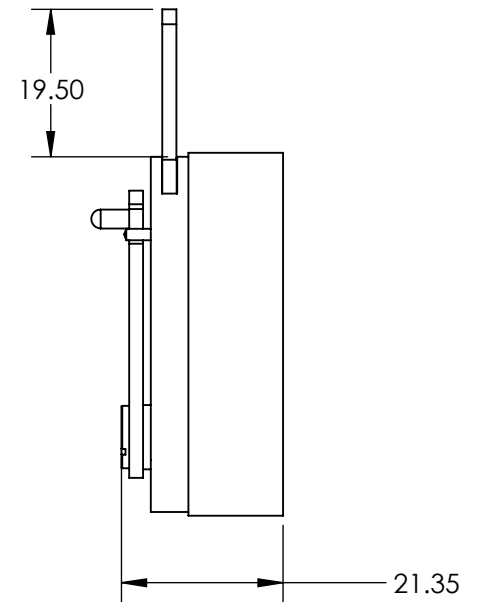
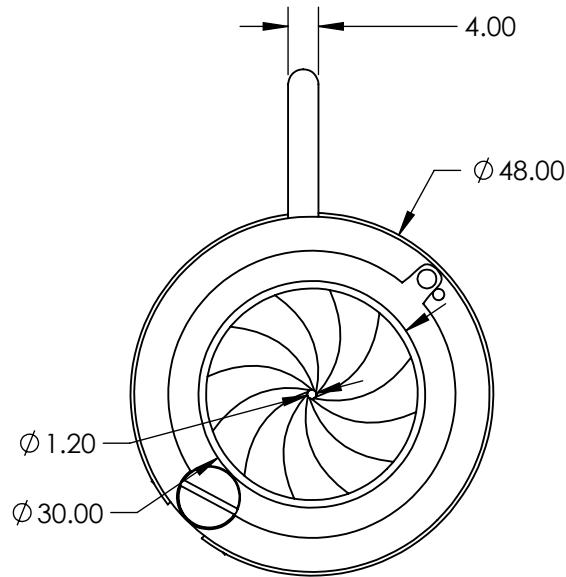
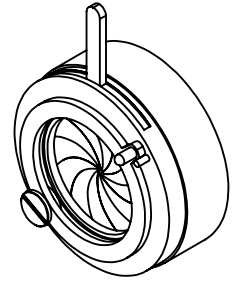


NOTES:

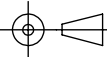
1. CONSTRUCTION:  
Brass Housing, Blue Tempered Steel Leaves
2. NUMBER OF LEAVES: 12
3. THICKNESS OF COMPATIBLE OPTICS: 2mm
4. ROHS: COMPLIANT



SPECIFICATIONS SUBJECT TO CHANGE WITHOUT NOTICE  
DIMENSIONS ARE FOR REFERENCE ONLY

**FOR INFORMATION ONLY:  
DO NOT MANUFACTURE  
PARTS TO THIS DRAWING**

**EO**® Edmund Optics®

THIRD ANGLE PROJECTION 		TITLE	IRIS DIAPHRAGM W/POST	
ALL DIMS IN	mm	DWG NO	37919	SHEET 1 OF 1