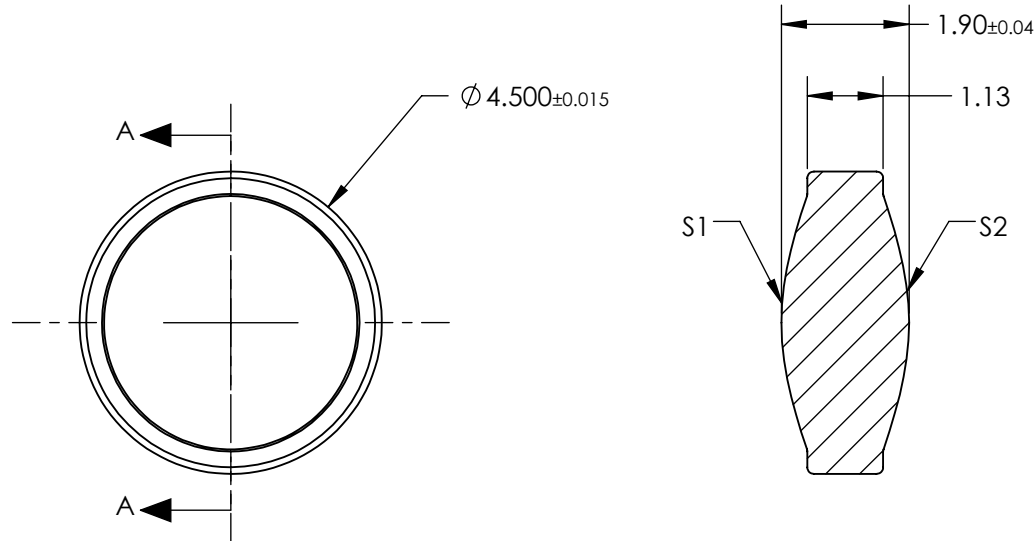


**NOTES:**


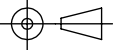
1. SUBSTRATE:  
D-ZLAF52LA
2. NUMERICAL APERTURE: 0.55
3. COATING  
S1 & S2: SINGLE LAYER MgF2 @ 775nm
4. FOCAL LENGTH TOLERANCE:  $\pm 1\%$
5. TRANSMITTED WAVEFRONT ERROR ( $\lambda$ , RMS):  $< 1.300$



SECTION A-A

**FOR INFORMATION ONLY:  
DO NOT MANUFACTURE  
PARTS TO THIS DRAWING**

SPECIFICATIONS SUBJECT TO CHANGE WITHOUT NOTICE DIMENSIONS ARE FOR REFERENCE ONLY

	S1	S2	EFL	2.75	 <b>Edmund Optics®</b>	
	CONVEX	CONVEX	BFL	2.16		
SHAPE	40-20	40-20	THIRD ANGLE PROJECTION		TITLE	0.55 NA 2.75mm FL MgF2 Coated, Molded Aspheric Lens
SURFACE QUALITY	Ø3.60	Ø3.60	ALL DIMS IN	mm	DWG NO	66925
CLEAR APERTURE	PROTECTIVE AS NEEDED	PROTECTIVE AS NEEDED				SHEET 1 OF 1