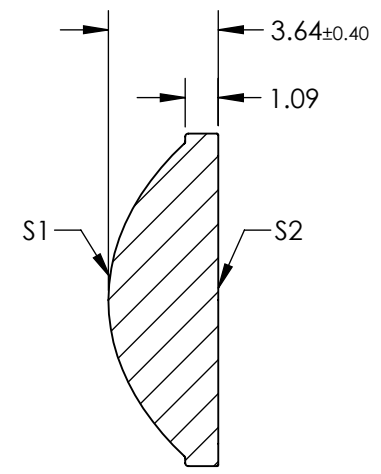
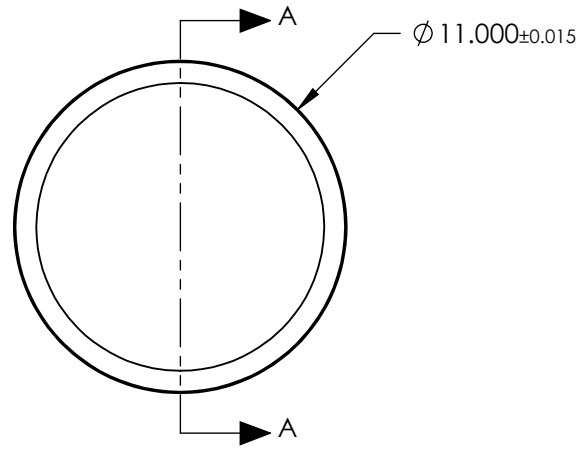



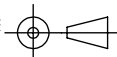
NOTES:

1. SUBSTRATE:
D-ZK3
2. NUMERICAL APERTURE: 0.5
3. COATING
S1 & S2: R (ABS) < 1.0% @ 1050 - 1600nm
4. FOCAL LENGTH TOLERANCE: ±1%
5. TRANSMITTED WAVEFRONT:
DIFFRACTION LIMITED



**FOR INFORMATION ONLY:
DO NOT MANUFACTURE
PARTS TO THIS DRAWING**

SPECIFICATIONS SUBJECT TO CHANGE WITHOUT NOTICE
DIMENSIONS ARE FOR REFERENCE ONLY

	S1	S2	EFL	10.00	 Edmund Optics®		
			WD	7.80			
SHAPE	CONVEX	PLANO			TITLE	0.50 NA 10.0mm FL 1050-1600nm AR Coated, Molded Aspheric Lens	
SURFACE QUALITY	40-20	40-20	ALL DIMS IN	mm	DWG NO	33427	
CLEAR APERTURE	$\varnothing 10.00$	$\varnothing 10.00$					SHEET 1 OF 1
BEVEL	PROTECTIVE AS NEEDED	PROTECTIVE AS NEEDED					