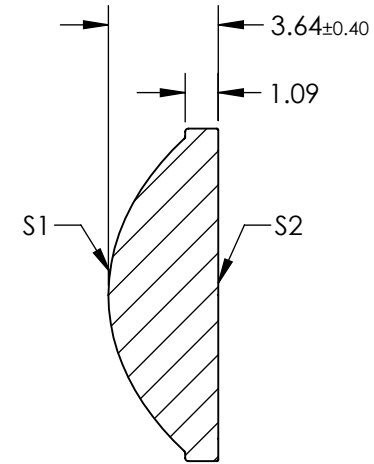
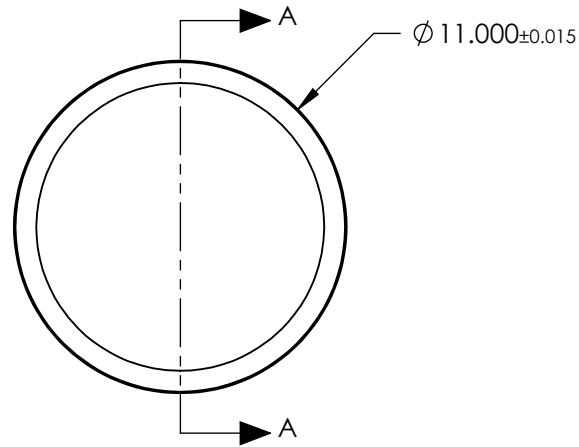


NOTES:

1. SUBSTRATE:
D-ZK3
2. NUMERICAL APERTURE: 0.5
3. COATING
S1 & S2: R (AVG) $\leq 0.5\%$ @ 350 - 700nm
4. FOCAL LENGTH TOLERANCE: $\pm 1\%$
5. TRANSMITTED WAVEFRONT:
DIFFRACTION LIMITED



**FOR INFORMATION ONLY:
DO NOT MANUFACTURE
PARTS TO THIS DRAWING**

SPECIFICATIONS SUBJECT TO CHANGE WITHOUT NOTICE
DIMENSIONS ARE FOR REFERENCE ONLY

	S1	S2	EFL	10.00	Edmund Optics®	TITLE 0.50 NA 10.0mm FL 350-700nm AR Coated, Molded Aspheric Lens	
			BFL	7.80			
SHAPE	CONVEX	PLANO	THIRD ANGLE PROJECTION		DWG NO	33425	SHEET 1 OF 1
SURFACE QUALITY	40-20	40-20	ALL DIMS IN	mm			
CLEAR APERTURE	$\varnothing 10.00$	$\varnothing 10.00$					
BEVEL	PROTECTIVE AS NEEDED	PROTECTIVE AS NEEDED					