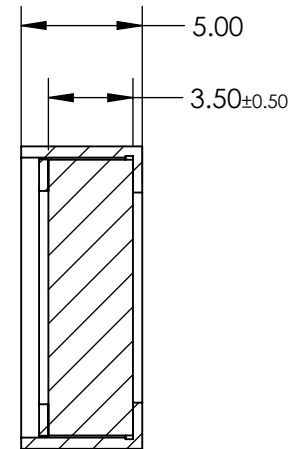
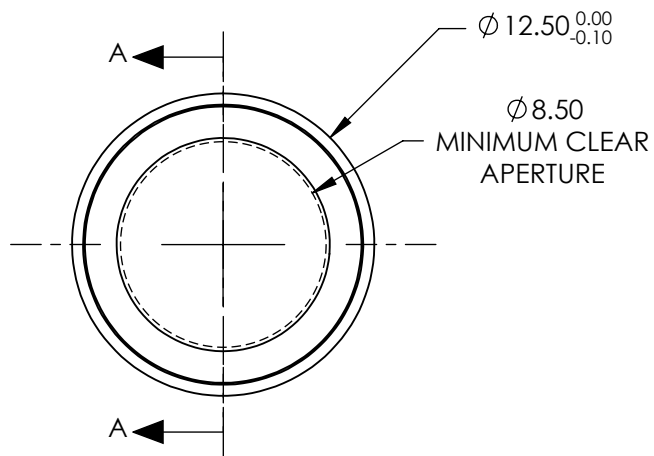


**FOR INFORMATION ONLY:  
DO NOT MANUFACTURE  
PARTS TO THIS DRAWING**



SECTION A-A

SPECIFICATION	VALUE
CENTER WAVELENGTH (CWL)	375nm $\pm 5$ nm
FULL WIDTH HALF MAX (FWHM)	50nm $\pm 5$ nm
MINIMUM TRANSMISSION	>90 %
BLOCKING	$\geq 4.0$ FROM 200 - 1200 nm
SURFACE QUALITY	80-50
CONSTRUCTION	MOUNTED IN BLACK ANODIZED ALUMINUM RING
COATING TYPE	Hard Coated

SPECIFICATIONS SUBJECT TO CHANGE WITHOUT NOTICE  
DIMENSIONS ARE FOR REFERENCE ONLY

**EO**® Edmund Optics®

THIRD ANGLE PROJECTION

TITLE

375nm CWL, 12.5mm Dia. Hard Coated OD 4  
50nm Bandpass Filter

ALL DIMS IN

mm

DWG NO

12091

SHEET  
1 OF 1