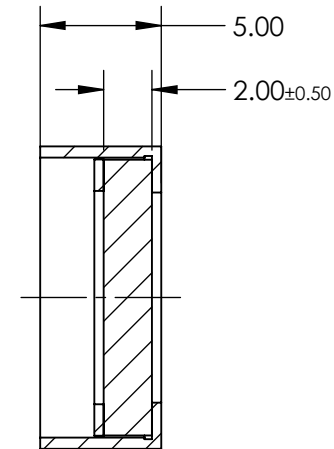
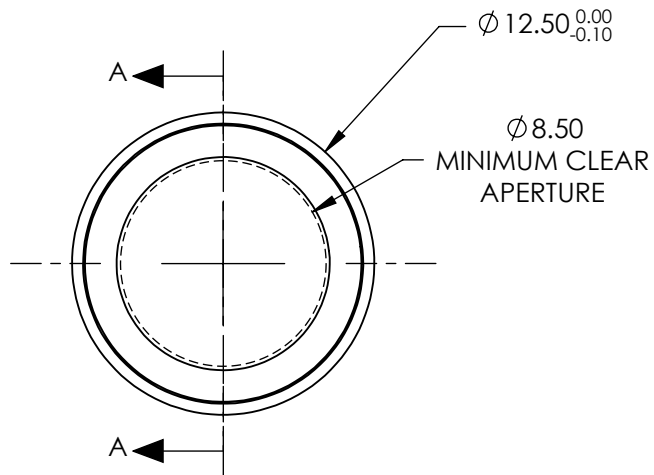


**FOR INFORMATION ONLY:
DO NOT MANUFACTURE
PARTS TO THIS DRAWING**



SECTION A-A

SPECIFICATION	VALUE
CENTER WAVELENGTH (CWL)	300nm ±5 nm
FULL WIDTH HALF MAX (FWHM)	50nm ±5 nm
MINIMUM TRANSMISSION	>90 %
BLOCKING	≥4.0 FROM 200 - 1200 nm
SURFACE QUALITY	80-50
CONSTRUCTION	MOUNTED IN BLACK ANODIZED ALUMINUM RING
COATING TYPE	Hard Coated

SPECIFICATIONS SUBJECT TO CHANGE WITHOUT NOTICE
DIMENSIONS ARE FOR REFERENCE ONLY

EO® Edmund Optics®

THIRD ANGLE PROJECTION

TITLE

300nm CWL, 12.5mm Dia. Hard Coated OD 4
50nm Bandpass Filter

ALL DIMS IN

mm

DWG NO

12088

SHEET
1 OF 1