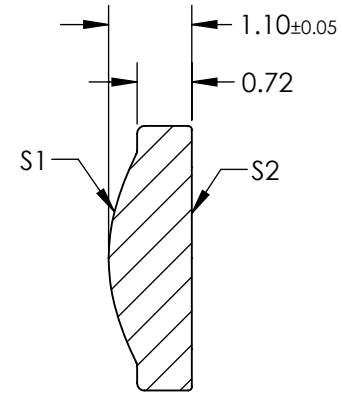
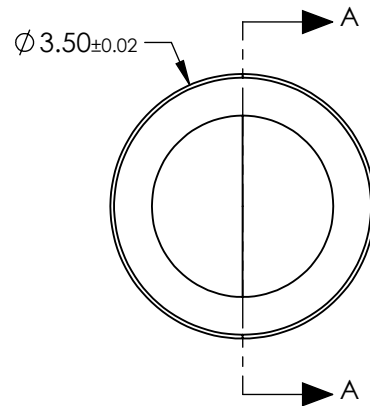


NOTES:

1. SUBSTRATE:
BLACK DIAMOND™ BD-2 (Ge28Sb12Se60)
2. NUMERICAL APERTURE: 0.72
3. COATING:
R(AVG) <1.0% @ 3 - 5µm
4. FOCAL LENGTH TOLERANCE: ±1%
5. RoHS: COMPLIANT



SECTION A-A

**FOR INFORMATION ONLY:
DO NOT MANUFACTURE
PARTS TO THIS DRAWING**

SPECIFICATIONS SUBJECT TO CHANGE WITHOUT NOTICE
DIMENSIONS ARE FOR REFERENCE ONLY

	S1	S2
SHAPE	CONVEX	PLANO
SURFACE QUALITY	80-50	80-50
MIN CLEAR APERTURE	$\varnothing 2.6$	$\varnothing 2.6$
BEVEL MAX FACE	PROTECTIVE AS NEEDED	PROTECTIVE AS NEEDED



ALL DIMS IN mm

EO® Edmund Optics®

TITLE

Infrared Asphere 0.72NA, 1.5mm FL, 3.0-5.0µm
AR Coated

DWG NO

83718

SHEET
1 OF 1