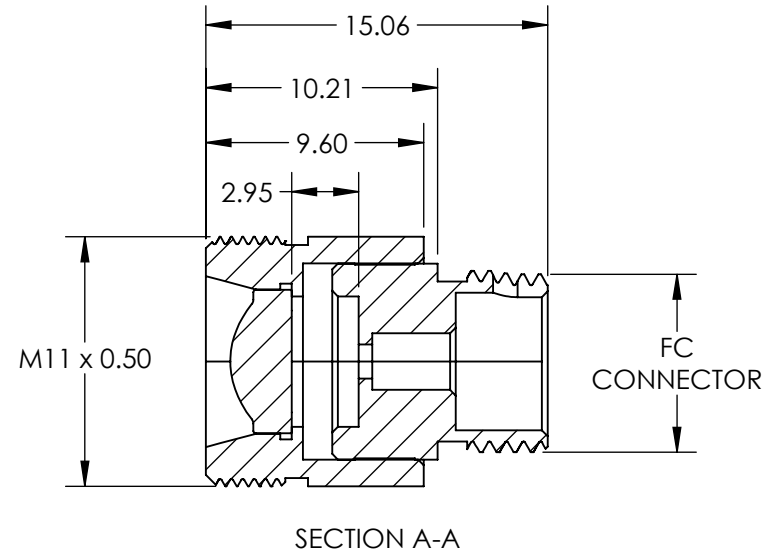
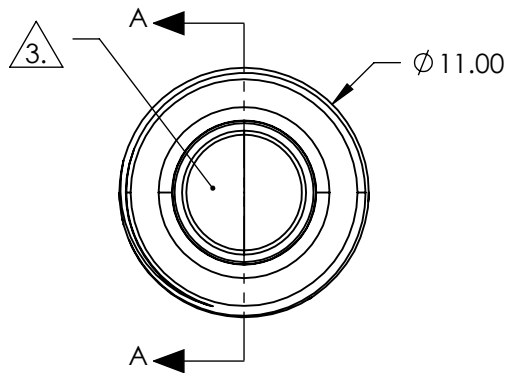
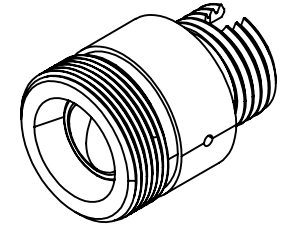


NOTES:

1. MATERIAL:  
HOUSING: STAINLESS STEEL  
LENS: D-ZLcF52LA
2. COATING (APPLY ACROSS CLEAR APERTURE)  
R(AVG) <0.4% @ 1050 - 1600nm
3. CLEAR APERTURE: 4.95 mm
4. RoHS: COMPLIANT



SPECIFICATIONS SUBJECT TO CHANGE WITHOUT NOTICE  
DIMENSIONS ARE FOR REFERENCE ONLY

**EO**<sup>®</sup> Edmund Optics<sup>®</sup>

**FOR INFORMATION ONLY:  
DO NOT MANUFACTURE  
PARTS TO THIS DRAWING**

THIRD ANGLE PROJECTION 		TITLE	1550nm Alignment, 0.55 NA Fiber Collimator w/ FC Connector	
ALL DIMS IN	mm	DWG NO	83728	SHEET 1 OF 1