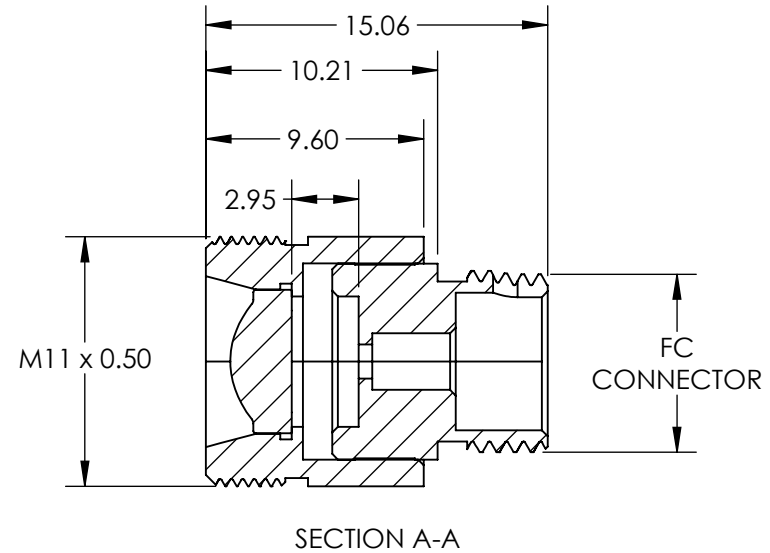
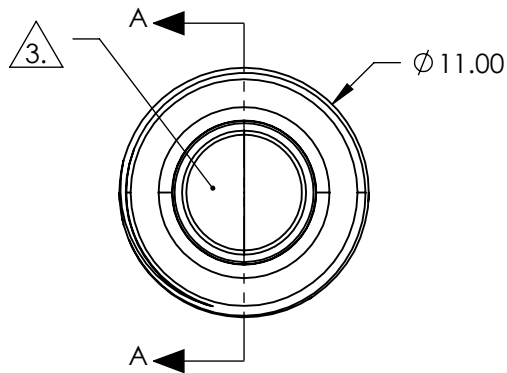
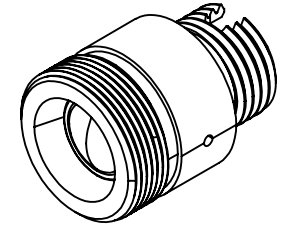


NOTES:

1. MATERIAL:
HOUSING: STAINLESS STEEL
LENS: D-ZLcF52LA
2. COATING (APPLY ACROSS CLEAR APERTURE)
R(AVG) <0.4% @ 1050 - 1600nm
3. CLEAR APERTURE: 4.95 mm
4. RoHS: COMPLIANT



SPECIFICATIONS SUBJECT TO CHANGE WITHOUT NOTICE
DIMENSIONS ARE FOR REFERENCE ONLY

EO® Edmund Optics®

**FOR INFORMATION ONLY:
DO NOT MANUFACTURE
PARTS TO THIS DRAWING**

| | | | | |
|------------------------|----|--------|---|-----------------|
| THIRD ANGLE PROJECTION | | TITLE | 1064nm Alignment, 0.55 NA Fiber Collimator w/ FC Connector | |
| ALL DIMS IN | mm | DWG NO | 64789 | SHEET 1 OF 1 |