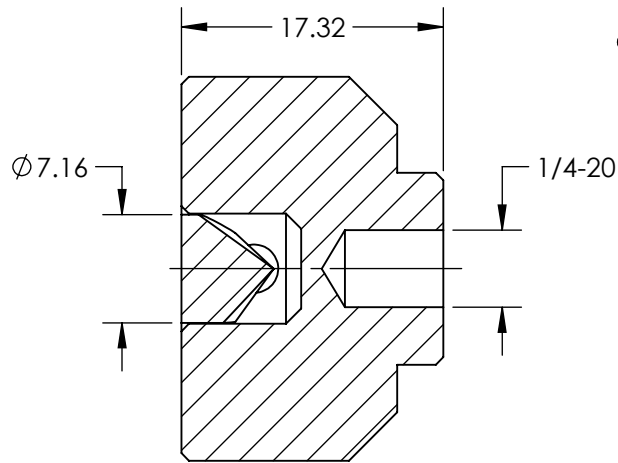
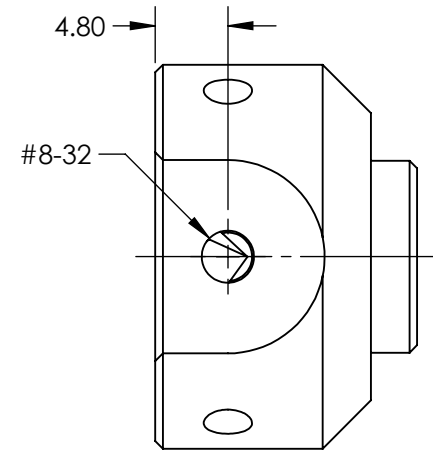
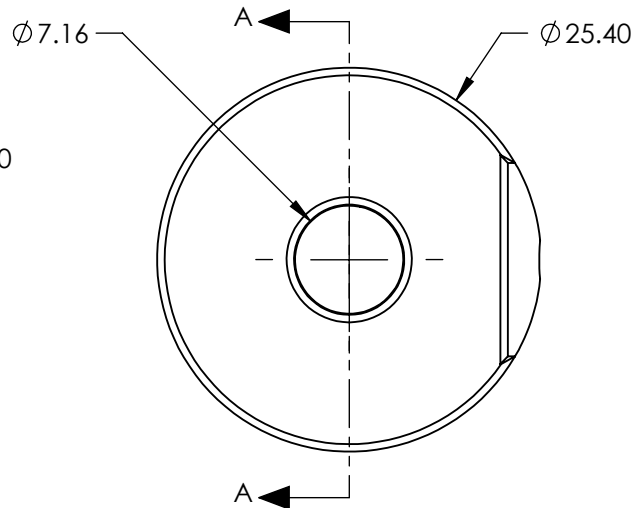


NOTES:

1. MATERIAL:
HOUSING: BLACK ANODIZED ALUMINUM
CORNER CUBE: N-BK7
2. COATING SPECIFICATION (APPLY ACROSS CLEAR APERTURE)
REFLECTIVE SURFACES: R(AVG) > 98% @ 500 - 800nm
R(AVG) > 98% @ 2 - 10µm WITH BLACK OVERPAINT
ENTRANCE: R(AVG) ≤ 0.4% @ 425 - 675nm
3. RoHS: COMPLIANT



SECTION A-A



SPECIFICATIONS SUBJECT TO CHANGE WITHOUT NOTICE
DIMENSIONS ARE FOR REFERENCE ONLY

**FOR INFORMATION ONLY:
DO NOT MANUFACTURE
PARTS TO THIS DRAWING**

EO® Edmund Optics®

THIRD ANGLE PROJECTION 		TITLE	7.16mm SILVER AND VIS 0° COATED, MOUNTED CORNER CUBE RETROREFLECTOR	
ALL DIMS IN	mm	DWG NO	12211	SHEET 1 OF 1