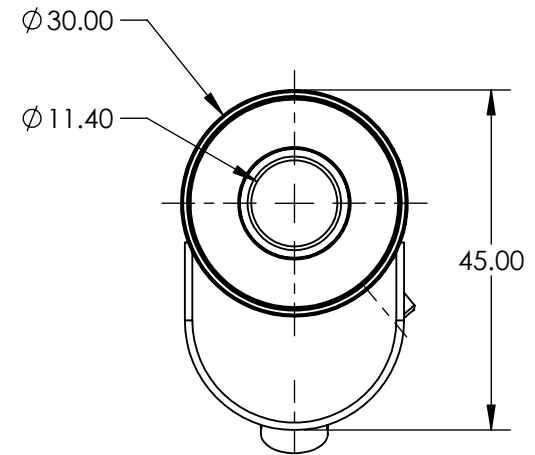
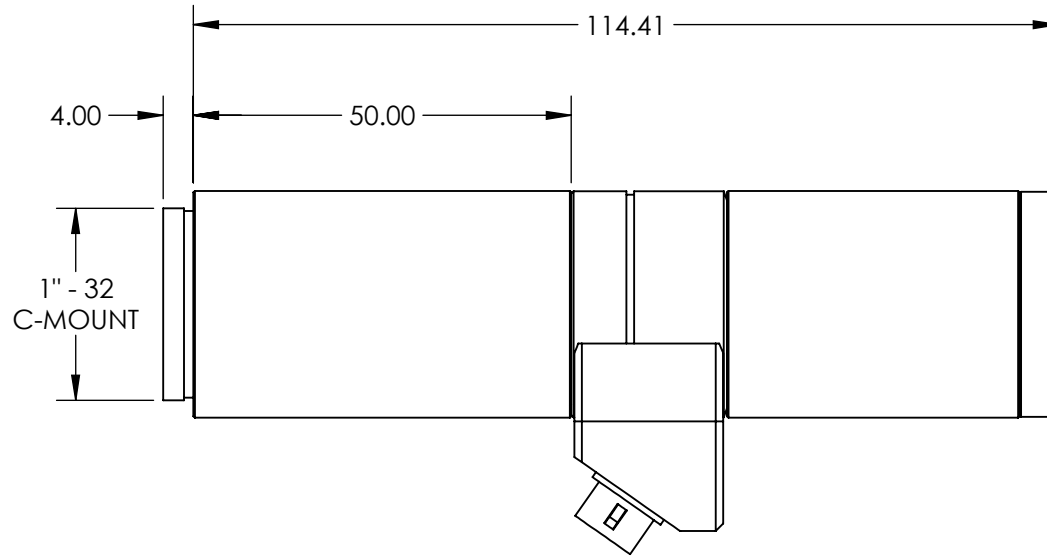


NOTES:

- 1. RoHS: COMPLIANT



**FOR INFORMATION ONLY:
DO NOT MANUFACTURE
PARTS TO THIS DRAWING**

SPECIFICATIONS SUBJECT TO CHANGE WITHOUT NOTICE
DIMENSIONS ARE FOR REFERENCE ONLY

	VALUE
FIELD OF VIEW, 1/2" SENSOR	1.0 - 1.2mm
FIELD OF VIEW, 1/3" SENSOR	1.5 - 1.6mm
MAGNIFICATION	5.5X - 6.0X
MAX SENSOR FORMAT	2/3"
NUMERICAL APERTURE	0.15 - 0.16
WORKING DISTANCE	14.7 - 15.5
STYLE	FINITE CONJUGATE



ALL DIMS IN

mm



TITLE

5X TUNABLE COMPACT OBJECTIVE LIQUID
LENS ASSEMBLY

DWG NO

34713

SHEET
1 OF 1