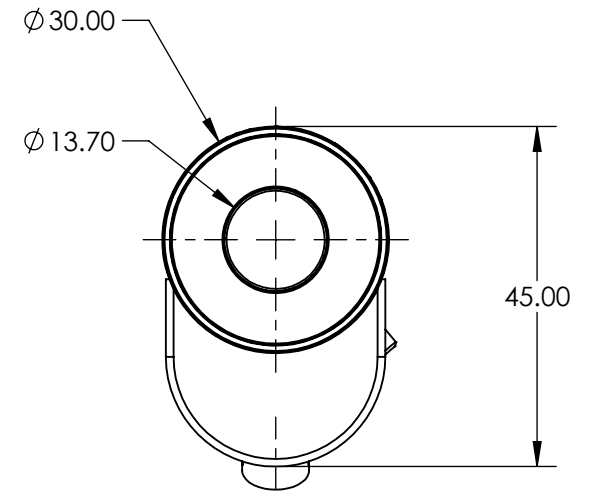
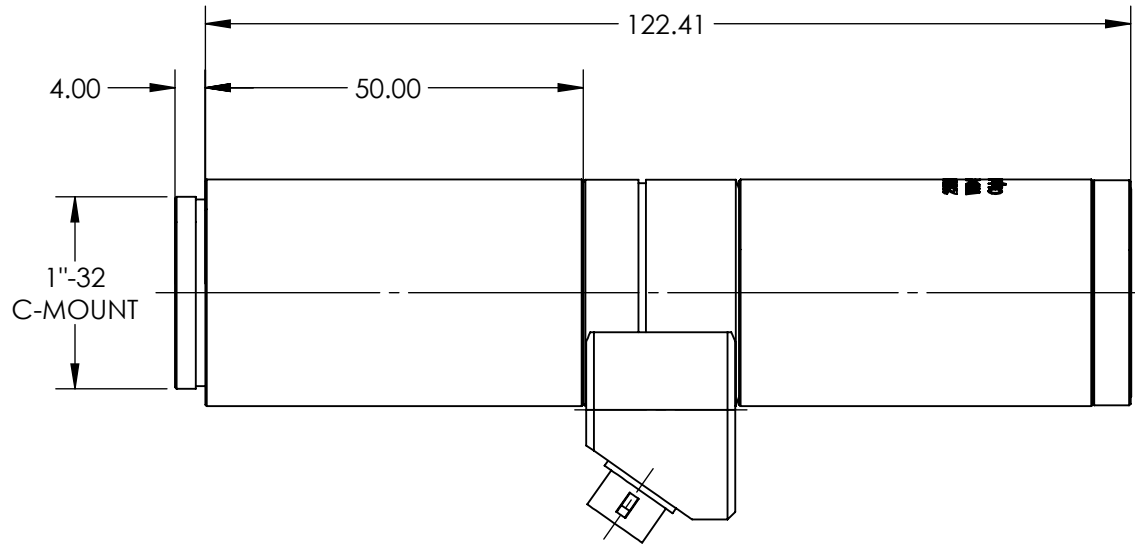


NOTES:

- 1. RoHS: COMPLIANT



**FOR INFORMATION ONLY:
DO NOT MANUFACTURE
PARTS TO THIS DRAWING**

SPECIFICATIONS SUBJECT TO CHANGE WITHOUT NOTICE
DIMENSIONS ARE FOR REFERENCE ONLY

	VALUE
FIELD OF VIEW, 1/2" SENSOR	2.6 - 2.8mm
FIELD OF VIEW, 1/3" SENSOR	3.5 - 3.8mm
MAGNIFICATION	2.3X - 2.5X
MAX SENSOR FORMAT	2/3"
NUMERICAL APERTURE	0.12 - 0.13
WORKING DISTANCE	24.6 - 28.9
STYLE	FINITE CONJUGATE

THIRD ANGLE PROJECTION

ALL DIMS IN mm

Edmund Optics®

TITLE

2X TUNABLE COMPACT OBJECTIVE LIQUID LENS ASSEMBLY

DWG NO

34712

SHEET 1 OF 1