
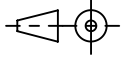
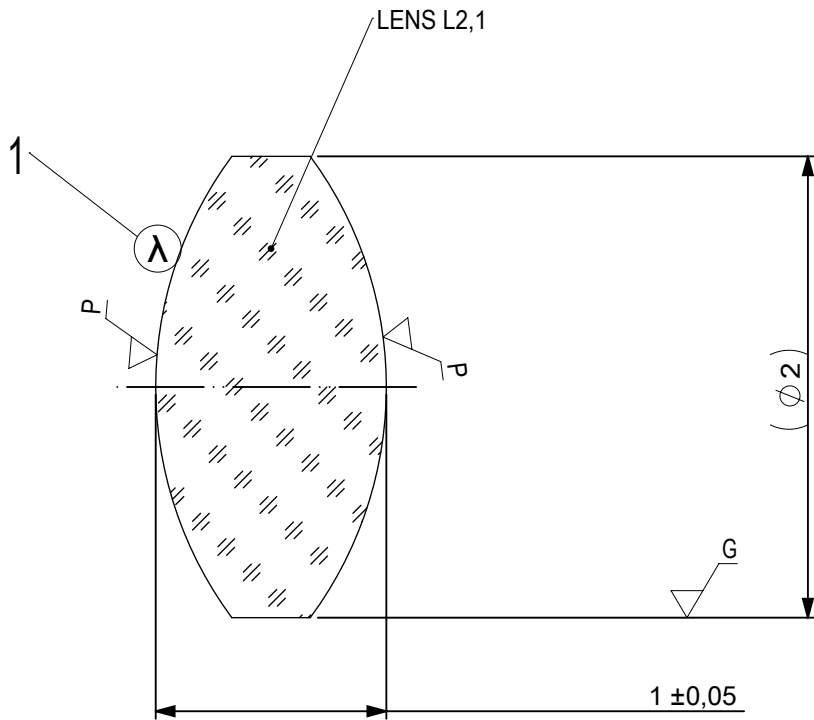


FOCAL LENGTH (EFL): $3 \pm 0,03$
 BACK FOCAL LENGTH (BFL): 1,89


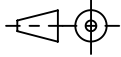
SURFACE A	SURFACE B	SURFACE C
$\varnothing e 1,5$	$\varnothing e 1,5$	$\varnothing e 1,5$
CEMENT: NOA 61 OR EQUIVALENT		

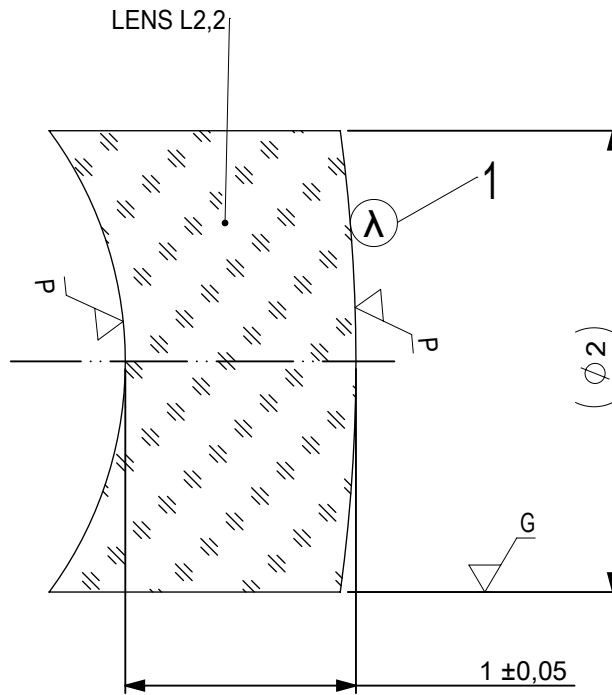
PROTECTIVE CHAMFERS AS NEEDED		FIRST ANGLE PROJECTION			
ROHS: COMPLIANT	SCALE: NONE $\lambda = 587,6nm$				
SPECIFICATIONS SUBJECT TO CHANGE WITHOUT NOTICE. DIMENSIONS ARE FOR REFERENCE ONLY			TITLE 2mm Dia, x 3mm FL, VIS 0 Coated, Achromatic Lens		
FOR INFORMATION ONLY: DO NOT MANUFACTURE PARTS TO THIS DRAWING			ALL DIMS IN: mm	DWG NO 84124	SHEET SIZE A4
INDICATIONS IN ACCORDANCE WITH ISO 10110					



1 AR COATING: VIS 0°
R(AVG) ≤ 0,4% FROM 425-675nm @ 0° AOI

LEFT SURFACE	MATERIAL	RIGHT SURFACE
R 1,68±0,002 CX Øe 1,5 3/ 3 (0,5) λ=632,8 nm 4/ - 5/ 20 - 10 (MIL-PRF-13830B) 6/ -	GLASS N-PSK53A 618/634	R 1,68±0,002 CX Øe 1,5 3/ 3 (0,5) λ=632,8 nm 4/ - 5/ 20 - 10 (MIL-PRF-13830B) 6/ -

PROTECTIVE CHAMFERS AS NEEDED		FIRST ANGLE PROJECTION	 Edmund Optics®	
ROHS: COMPLIANT	SCALE: NONE λ = 587,6nm			
SPECIFICATIONS SUBJECT TO CHANGE WITHOUT NOTICE. DIMENSIONS ARE FOR REFERENCE ONLY			TITLE 2mm Dia, x 3mm FL, VIS 0 Coated, Achromatic Lens	
FOR INFORMATION ONLY: DO NOT MANUFACTURE PARTS TO THIS DRAWING			ALL DIMS IN: mm	DWG NO 84124
INDICATIONS IN ACCORDANCE WITH ISO 10110				SHEET 2 OF 3



1 AR COATING: VIS 0°
R(AVG) ≤ 0,4% FROM 425-675nm @ 0° AOI

LEFT SURFACE	MATERIAL	RIGHT SURFACE
R 1,68±0,002 CV Øe 1,5 3/ 3 (0,5) λ=632,8 nm 4/ - 5/ 20 - 10 (MIL-PRF-13830B) 6/ -	GLASS N-LaSF9 850/322	R 7,39±0,007 CX Øe 1,5 3/ 3 (0,5) λ=632,8 nm 4/ - 5/ 20 - 10 (MIL-PRF-13830B) 6/ -

PROTECTIVE CHAMFERS AS NEEDED		FIRST ANGLE PROJECTION	Edmund Optics®	
ROHS: COMPLIANT	SCALE: NONE λ = 587,6nm			
SPECIFICATIONS SUBJECT TO CHANGE WITHOUT NOTICE. DIMENSIONS ARE FOR REFERENCE ONLY			TITLE 2mm Dia, x 3mm FL, VIS 0 Coated, Achromatic Lens	
FOR INFORMATION ONLY: DO NOT MANUFACTURE PARTS TO THIS DRAWING			ALL DIMS IN: mm	DWG NO 84124
INDICATIONS IN ACCORDANCE WITH ISO 10110				SHEET 3 OF 3