
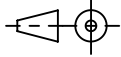
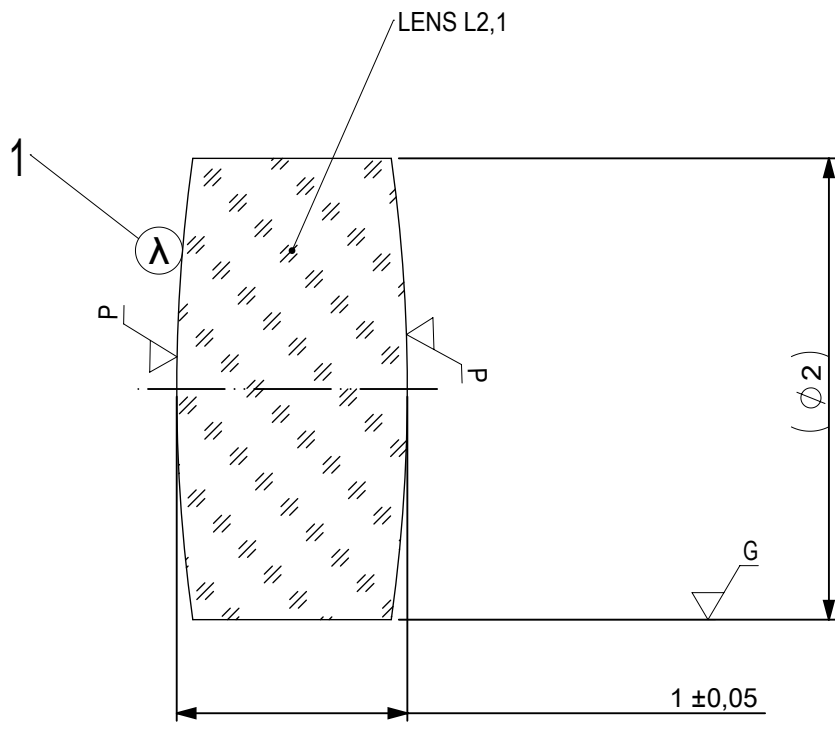


FOCAL LENGTH (EFL): $12 \pm 0,12$
 BACK FOCAL LENGTH (BFL): 11

| SURFACE A | SURFACE B | SURFACE C |
|------------------------------|---------------------|---------------------|
| $\varnothing e 1,5$ | $\varnothing e 1,5$ | $\varnothing e 1,5$ |
| CEMENT: NOA 61 OR EQUIVALENT | | |

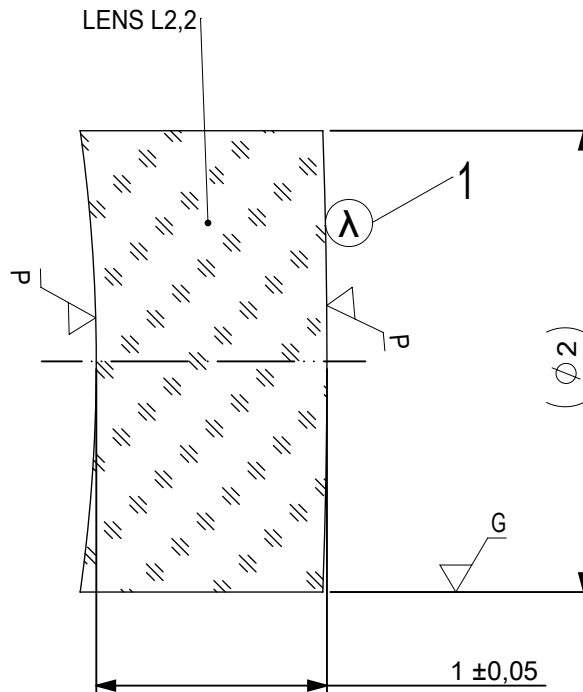
| | | | | | | | |
|--|--|---|--|---|--------|-------|--------|
| PROTECTIVE CHAMFERS AS NEEDED | | FIRST ANGLE PROJECTION |  Edmund Optics[®] | | | | |
| ROHS: COMPLIANT | SCALE: NONE $\lambda = 587,6\text{nm}$ | | | | | | |
| SPECIFICATIONS SUBJECT TO CHANGE WITHOUT NOTICE. DIMENSIONS ARE FOR REFERENCE ONLY | |  | TITLE | 2mm Dia, x 12mm FL, VIS-NIR Coated, Achromatic Lens | | | |
| FOR INFORMATION ONLY: DO NOT MANUFACTURE PARTS TO THIS DRAWING | | | ALL DIMS IN: | mm | DWG NO | 83981 | |
| INDICATIONS IN ACCORDANCE WITH ISO 10110 | | | | SHEET SIZE | A4 | SHEET | 1 OF 3 |



1 AR COATING: VIS-NIR
 R(ABS) ≤ 0,25% AT 880nm @ 0° AOI
 R(AVG) ≤ 1,25% FROM 400-870nm @ 0° AOI
 R(AVG) ≤ 1,25% FROM 890-1000nm @ 0° AOI

| LEFT SURFACE | MATERIAL | RIGHT SURFACE |
|--|------------------------|--|
| R 7,2±0,007 CX Øe 1,5 3/ 3 (0,5) λ=632,8 nm 4/ - 5/ 20 - 10 (MIL-PRF-13830B) 6/ - | GLASS N-PSK53A 618/634 | R 7,2±0,007 CX Øe 1,5 3/ 3 (0,5) λ=632,8 nm 4/ - 5/ 20 - 10 (MIL-PRF-13830B) 6/ - |

| | | | | | | | |
|--|-------------------------|------------------------|----------------|---|--------|-------|--------|
| PROTECTIVE CHAMFERS AS NEEDED | | FIRST ANGLE PROJECTION | Edmund Optics® | | | | |
| ROHS: COMPLIANT | SCALE: NONE λ = 587,6nm | | | | | | |
| SPECIFICATIONS SUBJECT TO CHANGE WITHOUT NOTICE. DIMENSIONS ARE FOR REFERENCE ONLY | | | TITLE | 2mm Dia, x 12mm FL, VIS-NIR Coated, Achromatic Lens | | | |
| FOR INFORMATION ONLY: DO NOT MANUFACTURE PARTS TO THIS DRAWING | | | ALL DIMS IN: | mm | DWG NO | 83981 | |
| INDICATIONS IN ACCORDANCE WITH ISO 10110 | | | | SHEET SIZE | A4 | SHEET | 2 OF 3 |



- 1 AR COATING: VIS-NIR
 R(ABS) ≤ 0,25% AT 880nm @ 0° AOI
 R(AVG) ≤ 1,25% FROM 400-870nm @ 0° AOI
 R(AVG) ≤ 1,25% FROM 890-1000nm @ 0° AOI

| LEFT SURFACE | MATERIAL | RIGHT SURFACE |
|--|-----------------------|---|
| R 7,2±0,007 CV Øe 1,5 3/ 3 (0,5) λ=632,8 nm 4/ - 5/ 20 - 10 (MIL-PRF-13830B) 6/ - | GLASS N-LaSF9 850/322 | R 27,8±0,028 CX Øe 1,5 3/ 3 (0,5) λ=632,8 nm 4/ - 5/ 20 - 10 (MIL-PRF-13830B) 6/ - |

PROTECTIVE CHAMFERS AS NEEDED

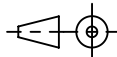
ROHS: COMPLIANT SCALE: NONE λ = 587,6nm

SPECIFICATIONS SUBJECT TO CHANGE WITHOUT NOTICE. DIMENSIONS ARE FOR REFERENCE ONLY

FOR INFORMATION ONLY: DO NOT MANUFACTURE PARTS TO THIS DRAWING

INDICATIONS IN ACCORDANCE WITH ISO 10110

FIRST ANGLE PROJECTION



ALL DIMS IN: mm

EO® Edmund Optics®

TITLE 2mm Dia, x 12mm FL, VIS-NIR Coated, Achromatic Lens

DWG NO 83981

SHEET SIZE A4 SHEET 3 OF 3