
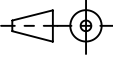
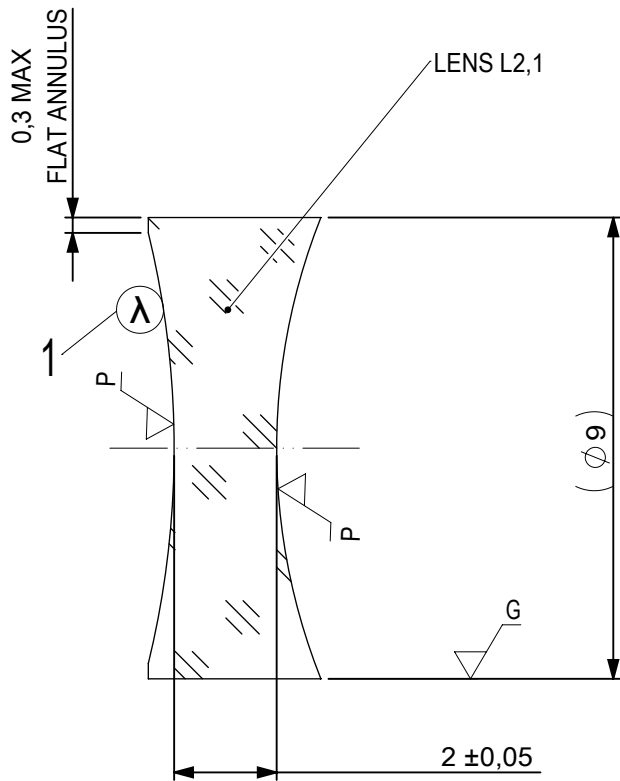


FOCAL LENGTH (EFL): $-25 \pm 0,25$
 BACK FOCAL LENGTH (BFL): $-27,33$


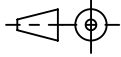
| SURFACE A | SURFACE B | SURFACE C |
|------------------------------|-----------|-----------|
| Øe 8,1 | Øe 8,1 | Øe 8,1 |
| CEMENT: NOA 61 OR EQUIVALENT | | |

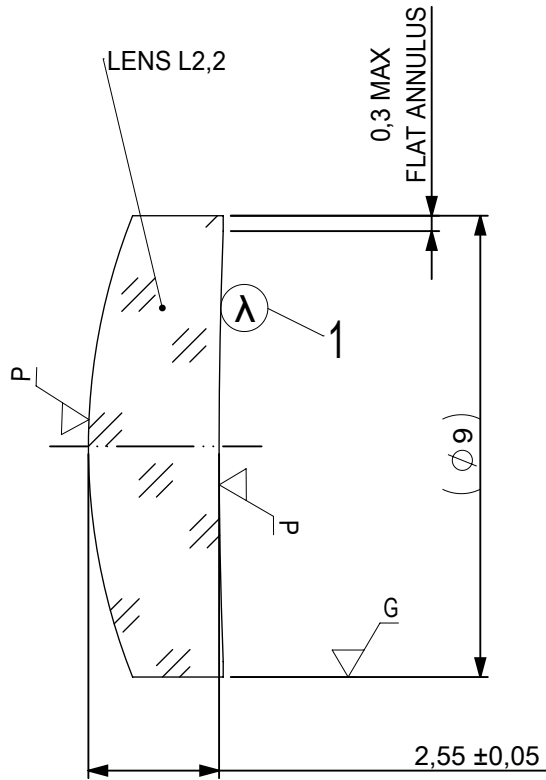
| | | | | | | | |
|--|--|---|---|---|--------|-------|--------|
| PROTECTIVE CHAMFERS AS NEEDED | | FIRST ANGLE PROJECTION |  Edmund Optics® | | | | |
| ROHS: COMPLIANT | SCALE: NONE $\lambda = 587,6\text{nm}$ | | | | | | |
| SPECIFICATIONS SUBJECT TO CHANGE WITHOUT NOTICE. DIMENSIONS ARE FOR REFERENCE ONLY | |  | TITLE | 9mm Dia x -25mm FL VIS 0 Coated, Negative Achromatic Lens | | | |
| FOR INFORMATION ONLY: DO NOT MANUFACTURE PARTS TO THIS DRAWING | | | ALL DIMS IN: | mm | DWG NO | 62483 | |
| INDICATIONS IN ACCORDANCE WITH ISO 10110 | | | | SHEET SIZE | A4 | SHEET | 1 OF 3 |



1 AR COATING: VIS 0°
R(AVG) ≤ 0,4% FROM 425-675nm @ 0° AOI

| LEFT SURFACE | MATERIAL | RIGHT SURFACE |
|-----------------------------|-----------------------|-----------------------------|
| R 17,75±0,018 CV | GLASS N-BaF10 670/472 | R 12,17±0,012 CV |
| Øe 8,1 | | Øe 8,1 |
| 3/ 3 (0,5) λ=632,8 nm | | 3/ 3 (0,5) λ=632,8 nm |
| 4/ - | | 4/ - |
| 5/ 40 - 20 (MIL-PRF-13830B) | | 5/ 40 - 20 (MIL-PRF-13830B) |
| 6/ - | | 6/ - |

| | | | | | |
|--|-------------------------|---|---|---|--------------|
| PROTECTIVE CHAMFERS AS NEEDED | | FIRST ANGLE PROJECTION |  Edmund Optics® | | |
| ROHS: COMPLIANT | SCALE: NONE λ = 587,6nm | | | | |
| SPECIFICATIONS SUBJECT TO CHANGE WITHOUT NOTICE. DIMENSIONS ARE FOR REFERENCE ONLY | |  | TITLE | 9mm Dia x -25mm FL VIS 0 Coated, Negative Achromatic Lens | |
| FOR INFORMATION ONLY: DO NOT MANUFACTURE PARTS TO THIS DRAWING | | | ALL DIMS IN: | mm | DWG NO |
| INDICATIONS IN ACCORDANCE WITH ISO 10110 | | | | SHEET SIZE | A4 |
| | | | | | SHEET 2 OF 3 |



1 AR COATING: VIS 0°
R(AVG) ≤ 0,4% FROM 425-675nm @ 0° AOI

| LEFT SURFACE | MATERIAL | RIGHT SURFACE |
|--|----------------------|--|
| R 12,17±0,012 CX Øe 8,1 3/ 3 (0,5) λ=632,8 nm 4/ - 5/ 40 - 20 (MIL-PRF-13830B) 6/ - | GLASS N-SF10 728/284 | R 109,75±0,11 CV Øe 8,1 3/ 3 (0,5) λ=632,8 nm 4/ - 5/ 40 - 20 (MIL-PRF-13830B) 6/ - |

PROTECTIVE CHAMFERS AS NEEDED

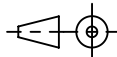
ROHS: COMPLIANT
SCALE: NONE
λ = 587,6nm

SPECIFICATIONS SUBJECT TO CHANGE WITHOUT NOTICE. DIMENSIONS ARE FOR REFERENCE ONLY

FOR INFORMATION ONLY: DO NOT MANUFACTURE PARTS TO THIS DRAWING

INDICATIONS IN ACCORDANCE WITH ISO 10110

FIRST ANGLE PROJECTION



ALL DIMS IN: mm

EO® Edmund Optics®

TITLE 9mm Dia x -25mm FL VIS 0 Coated, Negative Achromatic Lens

DWG NO 62483

SHEET SIZE A4

SHEET 3 OF 3