
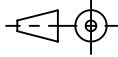
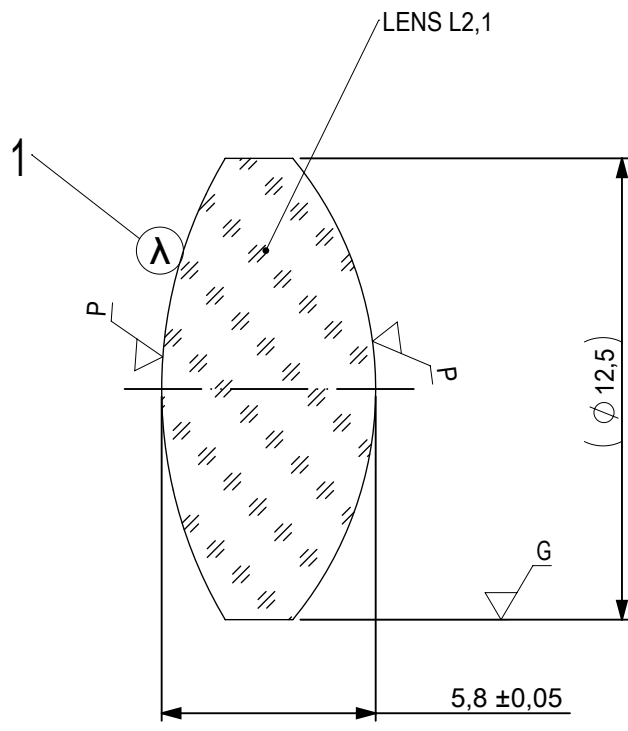


FOCAL LENGTH (EFL): 17,5 ±0,18
 BACK FOCAL LENGTH (BFL): 13,59

1 BLACKENED SURFACE

| SURFACE A | SURFACE B | SURFACE C |
|------------------------------|-----------|-----------|
| Øe 11,5 | Øe 11,5 | Øe 11,5 |
| CEMENT: NOA 61 OR EQUIVALENT | | |

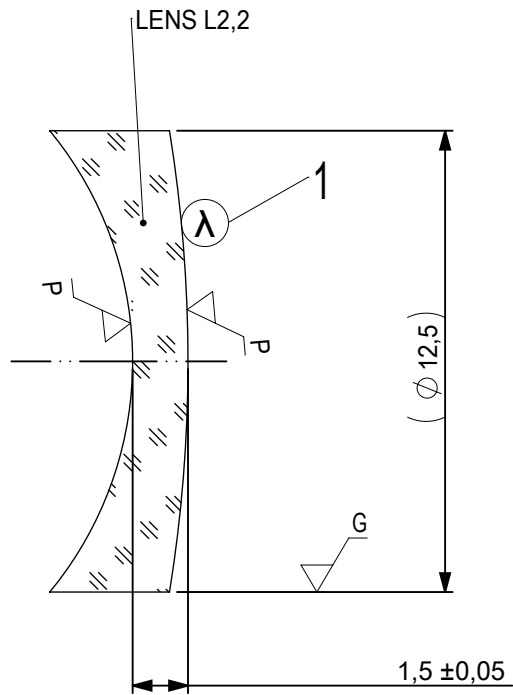
| | | | | | | |
|--|--|---|---|--|-------------------------|-----------------|
| PROTECTIVE CHAMFERS AS NEEDED | | FIRST ANGLE PROJECTION |  Edmund Optics® | | | |
| ROHS: COMPLIANT | SCALE: NONE $\lambda = 587,6\text{nm}$ | | | | | |
| SPECIFICATIONS SUBJECT TO CHANGE WITHOUT NOTICE. DIMENSIONS ARE FOR REFERENCE ONLY | |  | TITLE | 12,5mm Dia, x 17,5mm FL, VIS-NIR, Inlkd, Achromatic Lens | | |
| FOR INFORMATION ONLY: DO NOT MANUFACTURE PARTS TO THIS DRAWING | | | ALL DIMS IN: | mm | DWG NO | |
| INDICATIONS IN ACCORDANCE WITH ISO 10110 | | | | 49952INK | SHEET SIZE A4 | SHEET 1 OF 3 |



1 AR COATING: VIS-NIR
 R(ABS) ≤ 0,25% AT 880nm @ 0° AOI
 R(AVG) ≤ 1,25% FROM 400-870nm @ 0° AOI
 R(AVG) ≤ 1,25% FROM 890-1000nm @ 0° AOI

| LEFT SURFACE | MATERIAL | RIGHT SURFACE |
|--|-----------------------|---|
| R 12,2±0,012 CX Øe 11,5 3/ 3 (0,5) λ=632,8 nm 4/ - 5/ 40 - 20 (MIL-PRF-13830B) 6/ - | GLASS N-BaF10 670/472 | R 9,82±0,01 CX Øe 11,5 3/ 3 (0,5) λ=632,8 nm 4/ - 5/ 40 - 20 (MIL-PRF-13830B) 6/ - |

| | | | | | | |
|--|-------------------------|------------------------|----------------|--|---------------|--------------|
| PROTECTIVE CHAMFERS AS NEEDED | | FIRST ANGLE PROJECTION | Edmund Optics® | | | |
| ROHS: COMPLIANT | SCALE: NONE λ = 587,6nm | | | | | |
| SPECIFICATIONS SUBJECT TO CHANGE WITHOUT NOTICE. DIMENSIONS ARE FOR REFERENCE ONLY | | | TITLE | 12,5mm Dia, x 17,5mm FL, VIS-NIR, Inked, Achromatic Lens | | |
| FOR INFORMATION ONLY: DO NOT MANUFACTURE PARTS TO THIS DRAWING | | | ALL DIMS IN: | mm | DWG NO | |
| INDICATIONS IN ACCORDANCE WITH ISO 10110 | | | | 49952INK | SHEET SIZE A4 | SHEET 2 OF 3 |



- 1 AR COATING: VIS-NIR
 R(ABS) ≤ 0,25% AT 880nm @ 0° AOI
 R(AVG) ≤ 1,25% FROM 400-870nm @ 0° AOI
 R(AVG) ≤ 1,25% FROM 890-1000nm @ 0° AOI

| LEFT SURFACE | MATERIAL | RIGHT SURFACE |
|---|----------------------|---|
| R 9,82±0,01 CV Øe 11,5 3/ 3 (0,5) λ=632,8 nm 4/ - 5/ 40 - 20 (MIL-PRF-13830B) 6/ - | GLASS N-SF57 847/238 | R 39,19±0,039 CX Øe 11,5 3/ 3 (0,5) λ=632,8 nm 4/ - 5/ 40 - 20 (MIL-PRF-13830B) 6/ - |

| | | | | |
|--|-------------------------|------------------------|-----------------------|--|
| PROTECTIVE CHAMFERS AS NEEDED | | FIRST ANGLE PROJECTION | Edmund Optics® | |
| ROHS: COMPLIANT | SCALE: NONE λ = 587,6nm | | | |
| SPECIFICATIONS SUBJECT TO CHANGE WITHOUT NOTICE. DIMENSIONS ARE FOR REFERENCE ONLY | | | TITLE | 12,5mm Dia, x 17,5mm FL, VIS-NIR, Inlkd, Achromatic Lens |
| FOR INFORMATION ONLY: DO NOT MANUFACTURE PARTS TO THIS DRAWING | | | ALL DIMS IN: mm | DWG NO |
| INDICATIONS IN ACCORDANCE WITH ISO 10110 | | | SHEET SIZE | A4 |
| | | | | SHEET 3 OF 3 |