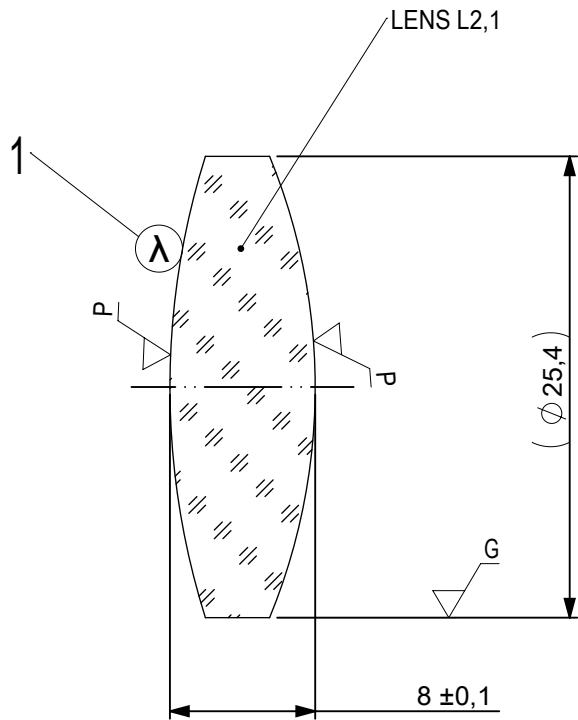


FOCAL LENGTH (EFL):  $63,5 \pm 0,64$   
 BACK FOCAL LENGTH (BFL):  $57,67$


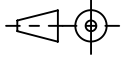
| SURFACE A                    | SURFACE B            | SURFACE C            |
|------------------------------|----------------------|----------------------|
| $\varnothing_e 24,4$         | $\varnothing_e 24,4$ | $\varnothing_e 24,4$ |
| CEMENT: NOA 61 OR EQUIVALENT |                      |                      |

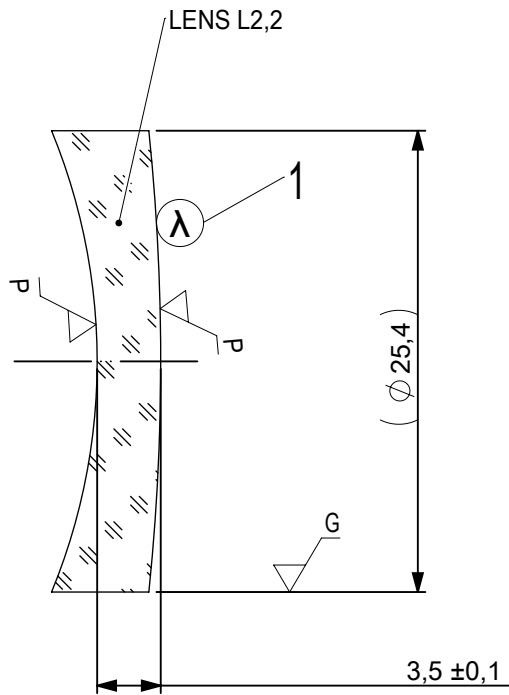
|  |  |                        |  |   |              |
|--|--|------------------------|--|---|--------------|
| PROTECTIVE CHAMFERS AS NEEDED  |  | FIRST ANGLE PROJECTION |  | <b>Edmund Optics<sup>®</sup></b><br>TITLE: 25,4mm Dia, x 63,5mm FL, VIS-NIR Coated, Achromatic Lens |              |
| ROHS: COMPLIANT  | SCALE: NONE $\lambda = 587,6\text{nm}$ |                        |  |   |              |
| SPECIFICATIONS SUBJECT TO CHANGE WITHOUT NOTICE. DIMENSIONS ARE FOR REFERENCE ONLY |  |                        |  | DWG NO  | 49793        |
| FOR INFORMATION ONLY: DO NOT MANUFACTURE PARTS TO THIS DRAWING                     |  |                        |  | ALL DIMS IN:  | mm           |
| INDICATIONS IN ACCORDANCE WITH ISO 10110   |  |                        |  |   | SHEET 1 OF 3 |



- 1 AR COATING: VIS-NIR  
 R(ABS) ≤ 0,25% AT 880nm @ 0° AOI  
 R(AVG) ≤ 1,25% FROM 400-870nm @ 0° AOI  
 R(AVG) ≤ 1,25% FROM 890-1000nm @ 0° AOI


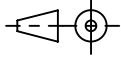
| LEFT SURFACE  | MATERIAL             | RIGHT SURFACE   |
|---|----------------------|---|
| R 42,26±0,042 CX<br>Øe 24,4<br>3/ 3 (0,5) λ=632,8 nm<br>4/ -<br>5/ 40 - 20 (MIL-PRF-13830B)<br>6/ - | GLASS N-SSK8 618/498 | R 33,37±0,033 CX<br>Øe 24,4<br>3/ 3 (0,5) λ=632,8 nm<br>4/ -<br>5/ 40 - 20 (MIL-PRF-13830B)<br>6/ - |

|  |                         |   |   |  |
|--|-------------------------|---|---|--|
| PROTECTIVE CHAMFERS AS NEEDED  |                         | FIRST ANGLE PROJECTION  |  <b>Edmund Optics®</b> |  |
| ROHS: COMPLIANT  | SCALE: NONE λ = 587,6nm |   |   |  |
| SPECIFICATIONS SUBJECT TO CHANGE WITHOUT NOTICE. DIMENSIONS ARE FOR REFERENCE ONLY |                         |  | TITLE   | 25,4mm Dia, x 63,5mm FL, VIS-NIR Coated, Achromatic Lens |
| FOR INFORMATION ONLY: DO NOT MANUFACTURE PARTS TO THIS DRAWING                     |                         |   | ALL DIMS IN: mm   | DWG NO   |
| INDICATIONS IN ACCORDANCE WITH ISO 10110   |                         |   | SHEET SIZE  | A4   |
|  |                         |   |   | SHEET 2 OF 3   |



- 1 AR COATING: VIS-NIR  
 R(ABS) ≤ 0,25% AT 880nm @ 0° AOI  
 R(AVG) ≤ 1,25% FROM 400-870nm @ 0° AOI  
 R(AVG) ≤ 1,25% FROM 890-1000nm @ 0° AOI

| LEFT SURFACE  | MATERIAL             | RIGHT SURFACE  |
|---|----------------------|--|
| R 33,37±0,033 CV<br>Øe 24,4<br>3/ 3 (0,5) λ=632,8 nm<br>4/ -<br>5/ 40 - 20 (MIL-PRF-13830B)<br>6/ - | GLASS N-SF56 785/261 | R 123,45±0,123 CX<br>Øe 24,4<br>3/ 3 (0,5) λ=632,8 nm<br>4/ -<br>5/ 40 - 20 (MIL-PRF-13830B)<br>6/ - |

|  |                         |   |   |  |
|--|-------------------------|---|---|--|
| PROTECTIVE CHAMFERS AS NEEDED  |                         | FIRST ANGLE PROJECTION  |  <b>Edmund Optics®</b> |  |
| ROHS: COMPLIANT  | SCALE: NONE λ = 587,6nm |   |   |  |
| SPECIFICATIONS SUBJECT TO CHANGE WITHOUT NOTICE. DIMENSIONS ARE FOR REFERENCE ONLY |                         |  | TITLE   | 25,4mm Dia, x 63,5mm FL, VIS-NIR Coated, Achromatic Lens |
| FOR INFORMATION ONLY: DO NOT MANUFACTURE PARTS TO THIS DRAWING                     |                         |   | ALL DIMS IN: mm   | DWG NO   |
| INDICATIONS IN ACCORDANCE WITH ISO 10110   |                         |   | SHEET SIZE  | A4   |
|  |                         |   | SHEET   | 3 OF 3   |