
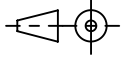
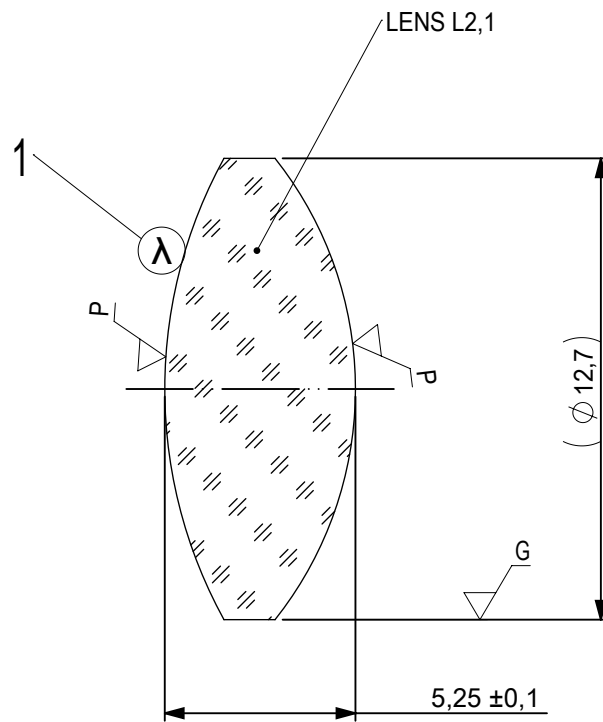


FOCAL LENGTH (EFL):  $19,1 \pm 0,19$   
 BACK FOCAL LENGTH (BFL):  $15,38$

SURFACE A	SURFACE B	SURFACE C
$\varnothing_e 11,7$	$\varnothing_e 11,7$	$\varnothing_e 11,7$
CEMENT: NOA 61 OR EQUIVALENT		

PROTECTIVE CHAMFERS AS NEEDED		FIRST ANGLE PROJECTION	 <b>Edmund Optics®</b>						
ROHS: COMPLIANT	SCALE: NONE $\lambda = 587,6\text{nm}$								
SPECIFICATIONS SUBJECT TO CHANGE WITHOUT NOTICE. DIMENSIONS ARE FOR REFERENCE ONLY			TITLE	12,7mm Dia, x 19,1mm FL, MgF2 Coated, Achromatic Doublet Lens					
FOR INFORMATION ONLY: DO NOT MANUFACTURE PARTS TO THIS DRAWING			ALL DIMS IN:	mm	DWG NO	49759	SHEET SIZE	A4	SHEET
INDICATIONS IN ACCORDANCE WITH ISO 10110									

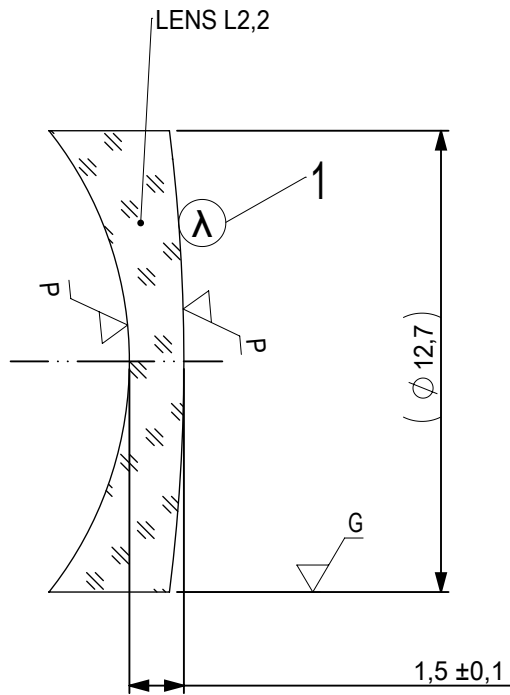


1 AR COATING:

¼ WAVE MgF2 @ 550nm  
 R(AVG) < 1,75% FROM 400-700nm (N-BK7)

LEFT SURFACE	MATERIAL	RIGHT SURFACE
R 13,185±0,013 CX Øe 11,7 3/ 3 (0,5) λ=632,8 nm 4/ - 5/ 40 - 20 (MIL-PRF-13830B) 6/ -	GLASS N-BaF10 670/472	R 10,215±0,01 CX Øe 11,7 3/ 3 (0,5) λ=632,8 nm 4/ - 5/ 40 - 20 (MIL-PRF-13830B) 6/ -

PROTECTIVE CHAMFERS AS NEEDED		FIRST ANGLE PROJECTION		
ROHS: COMPLIANT	SCALE: NONE λ = 587,6nm			
SPECIFICATIONS SUBJECT TO CHANGE WITHOUT NOTICE. DIMENSIONS ARE FOR REFERENCE ONLY			TITLE	12,7mm Dia, x 19,1mm FL, MgF2 Coated, Achromatic Doublet Lens
FOR INFORMATION ONLY: DO NOT MANUFACTURE PARTS TO THIS DRAWING			ALL DIMS IN: mm	DWG NO
INDICATIONS IN ACCORDANCE WITH ISO 10110			SHEET SIZE	A4
			SHEET	2 OF 3



1 AR COATING:

$\frac{1}{4}$  WAVE MgF2 @ 550nm  
 R(AVG) < 1,75% FROM 400-700nm (N-BK7)

LEFT SURFACE	MATERIAL	RIGHT SURFACE
R 10,215±0,01 CV Øe 11,7 3/ 3 (0,5) $\lambda=632,8$ nm 4/ - 5/ 40 - 20 (MIL-PRF-13830B) 6/ -	GLASS N-SF6 805/254	R 50,875±0,051 CX Øe 11,7 3/ 3 (0,5) $\lambda=632,8$ nm 4/ - 5/ 40 - 20 (MIL-PRF-13830B) 6/ -

PROTECTIVE CHAMFERS AS NEEDED		FIRST ANGLE PROJECTION	<b>Edmund Optics®</b>	
ROHS: COMPLIANT	SCALE: NONE $\lambda = 587,6$ nm			
SPECIFICATIONS SUBJECT TO CHANGE WITHOUT NOTICE. DIMENSIONS ARE FOR REFERENCE ONLY			TITLE	12,7mm Dia, x 19,1mm FL, MgF2 Coated, Achromatic Doublet Lens
FOR INFORMATION ONLY: DO NOT MANUFACTURE PARTS TO THIS DRAWING			ALL DIMS IN: mm	DWG NO
INDICATIONS IN ACCORDANCE WITH ISO 10110			SHEET SIZE	A4
				SHEET 3 OF 3