
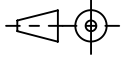
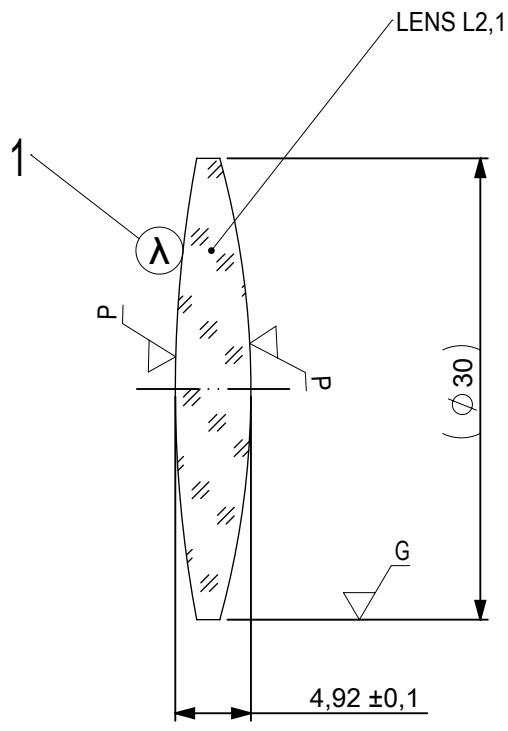


FOCAL LENGTH (EFL): 125 ± 1,25  
 BACK FOCAL LENGTH (BFL): 121,32

1 BLACKENED SURFACE

| SURFACE A                    | SURFACE B | SURFACE C |
|------------------------------|-----------|-----------|
| Øe 29                        | Øe 29     | Øe 29     |
| CEMENT: NOA 61 OR EQUIVALENT |           |           |

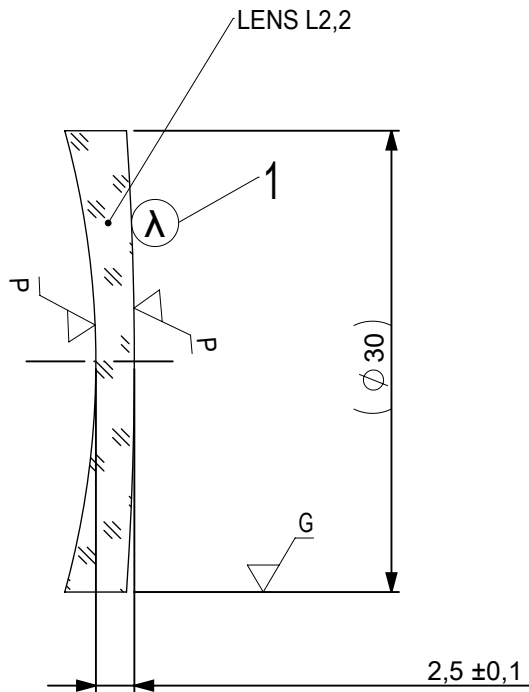
|  |  |   |  |                 |               |
|--|--|---|--|-----------------|---------------|
| PROTECTIVE CHAMFERS AS NEEDED  |  | FIRST ANGLE PROJECTION  |  |                 |               |
| ROHS: COMPLIANT  | SCALE: NONE $\lambda = 587,6\text{nm}$ |   |  |                 |               |
| SPECIFICATIONS SUBJECT TO CHANGE WITHOUT NOTICE. DIMENSIONS ARE FOR REFERENCE ONLY |  |  | TITLE 30mm Dia, x 125mm FL, VIS-NIR, Inked, Achromatic Lens                          |                 |               |
| FOR INFORMATION ONLY: DO NOT MANUFACTURE PARTS TO THIS DRAWING                     |  |   | ALL DIMS IN: mm  | DWG NO 493751NK | SHEET SIZE A4 |
| INDICATIONS IN ACCORDANCE WITH ISO 10110   |  |   |  |                 |               |



1 AR COATING: VIS-NIR  
 R(ABS) ≤ 0,25% AT 880nm @ 0° AOI  
 R(AVG) ≤ 1,25% FROM 400-870nm @ 0° AOI  
 R(AVG) ≤ 1,25% FROM 890-1000nm @ 0° AOI

| LEFT SURFACE  | MATERIAL             | RIGHT SURFACE   |
|---|----------------------|---|
| R 81,53±0,082 CX<br>Øe 29<br>3/ 3 (0,5) λ=632,8 nm<br>4/ -<br>5/ 40 - 20 (MIL-PRF-13830B)<br>6/ - | GLASS N-SK11 564/608 | R 56,59±0,057 CX<br>Øe 29<br>3/ 3 (0,5) λ=632,8 nm<br>4/ -<br>5/ 40 - 20 (MIL-PRF-13830B)<br>6/ - |

|  |                         |                        |                       |   |
|--|-------------------------|------------------------|-----------------------|---|
| PROTECTIVE CHAMFERS AS NEEDED  |                         | FIRST ANGLE PROJECTION | <b>Edmund Optics®</b> |   |
| ROHS: COMPLIANT  | SCALE: NONE λ = 587,6nm |                        |                       |   |
| SPECIFICATIONS SUBJECT TO CHANGE WITHOUT NOTICE. DIMENSIONS ARE FOR REFERENCE ONLY |                         |                        | TITLE                 | 30mm Dia, x 125mm FL, VIS-NIR, Inked, Achromatic Lens |
| FOR INFORMATION ONLY: DO NOT MANUFACTURE PARTS TO THIS DRAWING                     |                         |                        | ALL DIMS IN: mm       | DWG NO  |
| INDICATIONS IN ACCORDANCE WITH ISO 10110   |                         |                        | SHEET SIZE            | A4  |
|  |                         |                        |                       | SHEET 2 OF 3  |



- 1 AR COATING: VIS-NIR  
 R(ABS) ≤ 0,25% AT 880nm @ 0° AOI  
 R(AVG) ≤ 1,25% FROM 400-870nm @ 0° AOI  
 R(AVG) ≤ 1,25% FROM 890-1000nm @ 0° AOI

| LEFT SURFACE                | MATERIAL            | RIGHT SURFACE               |
|-----------------------------|---------------------|-----------------------------|
| R 56,59±0,057 CV            | GLASS N-SF5 673/322 | R 220,08±0,22 CX            |
| Øe 29                       |                     | Øe 29                       |
| 3/ 3 (0,5) λ=632,8 nm       |                     | 3/ 3 (0,5) λ=632,8 nm       |
| 4/ -                        |                     | 4/ -                        |
| 5/ 40 - 20 (MIL-PRF-13830B) |                     | 5/ 40 - 20 (MIL-PRF-13830B) |
| 6/ -                        |                     | 6/ -                        |

PROTECTIVE CHAMFERS AS NEEDED

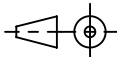
ROHS: COMPLIANT  
 SCALE: NONE λ = 587,6nm

SPECIFICATIONS SUBJECT TO CHANGE WITHOUT NOTICE. DIMENSIONS ARE FOR REFERENCE ONLY

FOR INFORMATION ONLY: DO NOT MANUFACTURE PARTS TO THIS DRAWING

INDICATIONS IN ACCORDANCE WITH ISO 10110

FIRST ANGLE PROJECTION



ALL DIMS IN: mm

**EO**® Edmund Optics®

TITLE 30mm Dia, x 125mm FL, VIS-NIR, Inked, Achromatic Lens

DWG NO 493751NK

SHEET SIZE A4 SHEET 3 OF 3