
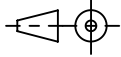
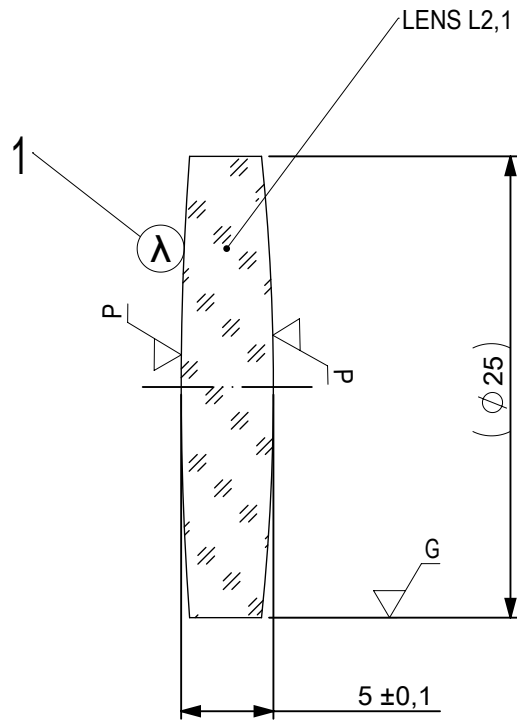


FOCAL LENGTH (EFL):  $275 \pm 2,75$   
 BACK FOCAL LENGTH (BFL): 271,6

| SURFACE A                    | SURFACE B          | SURFACE C          |
|------------------------------|--------------------|--------------------|
| $\varnothing e 24$           | $\varnothing e 24$ | $\varnothing e 24$ |
| CEMENT: NOA 61 OR EQUIVALENT |                    |                    |

|  |  |   |  |   |                         |                 |
|--|--|---|--|---|-------------------------|-----------------|
| PROTECTIVE CHAMFERS AS NEEDED  |  | FIRST ANGLE PROJECTION  |  <b>Edmund Optics<sup>®</sup></b> |   |                         |                 |
| ROHS: COMPLIANT  | SCALE: NONE $\lambda = 587,6\text{nm}$ |   |  |   |                         |                 |
| SPECIFICATIONS SUBJECT TO CHANGE WITHOUT NOTICE. DIMENSIONS ARE FOR REFERENCE ONLY |  |  | TITLE  | 25mm Dia, x 275mm FL, VIS-NIR Coated, Achromatic Lens |                         |                 |
| FOR INFORMATION ONLY: DO NOT MANUFACTURE PARTS TO THIS DRAWING                     |  |   | ALL DIMS IN:   | mm  | DWG NO                  |                 |
| INDICATIONS IN ACCORDANCE WITH ISO 10110   |  |   |  | 49367   | SHEET SIZE<br><b>A4</b> | SHEET<br>1 OF 3 |



- 1 AR COATING: VIS-NIR  
 R(ABS) ≤ 0,25% AT 880nm @ 0° AOI  
 R(AVG) ≤ 1,25% FROM 400-870nm @ 0° AOI  
 R(AVG) ≤ 1,25% FROM 890-1000nm @ 0° AOI

| LEFT SURFACE   | MATERIAL            | RIGHT SURFACE  |
|--|---------------------|--|
| R 171,03±0,171 CX<br>Øe 24<br>3/ 3 (0,5) λ=632,8 nm<br>4/ -<br>5/ 40 - 20 (MIL-PRF-13830B)<br>6/ - | GLASS N-BK7 517/642 | R 121,54±0,122 CX<br>Øe 24<br>3/ 3 (0,5) λ=632,8 nm<br>4/ -<br>5/ 40 - 20 (MIL-PRF-13830B)<br>6/ - |

PROTECTIVE CHAMFERS AS NEEDED

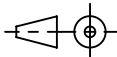
ROHS: COMPLIANT      SCALE: NONE      λ = 587,6nm

SPECIFICATIONS SUBJECT TO CHANGE WITHOUT NOTICE. DIMENSIONS ARE FOR REFERENCE ONLY

FOR INFORMATION ONLY: DO NOT MANUFACTURE PARTS TO THIS DRAWING

INDICATIONS IN ACCORDANCE WITH ISO 10110

FIRST ANGLE PROJECTION



ALL DIMS IN: mm



Edmund Optics®

TITLE

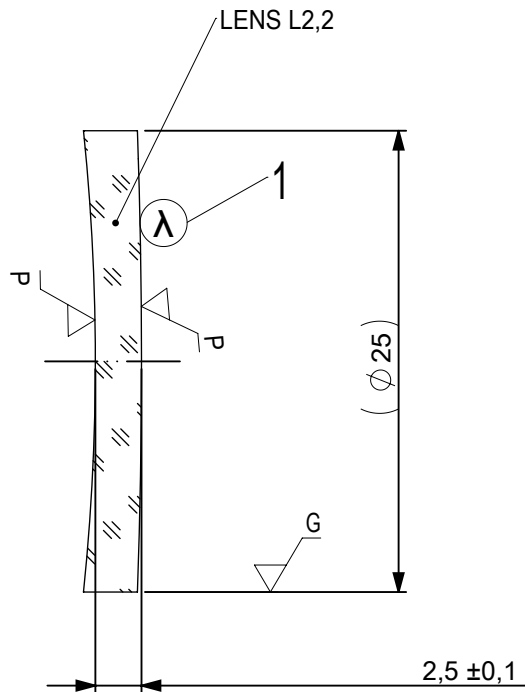
25mm Dia, x 275mm FL, VIS-NIR Coated, Achromatic Lens

DWG NO

49367


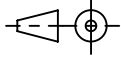
SHEET SIZE  
A4

SHEET  
2 OF 3



- 1 AR COATING: VIS-NIR  
 R(ABS) ≤ 0,25% AT 880nm @ 0° AOI  
 R(AVG) ≤ 1,25% FROM 400-870nm @ 0° AOI  
 R(AVG) ≤ 1,25% FROM 890-1000nm @ 0° AOI

| LEFT SURFACE                | MATERIAL            | RIGHT SURFACE               |
|-----------------------------|---------------------|-----------------------------|
| R 121,54±0,122 CV           | GLASS N-SF5 673/322 | R 352,46±0,352 CX           |
| Øe 24                       |                     | Øe 24                       |
| 3/ 3 (0,5) λ=632,8 nm       |                     | 3/ 3 (0,5) λ=632,8 nm       |
| 4/ -                        |                     | 4/ -                        |
| 5/ 40 - 20 (MIL-PRF-13830B) |                     | 5/ 40 - 20 (MIL-PRF-13830B) |
| 6/ -                        |                     | 6/ -                        |

|  |                         |   |   |   |              |
|--|-------------------------|---|---|---|--------------|
| PROTECTIVE CHAMFERS AS NEEDED  |                         | FIRST ANGLE PROJECTION  |  <b>Edmund Optics®</b> |   |              |
| ROHS: COMPLIANT  | SCALE: NONE λ = 587,6nm |   |   |   |              |
| SPECIFICATIONS SUBJECT TO CHANGE WITHOUT NOTICE. DIMENSIONS ARE FOR REFERENCE ONLY |                         |  | TITLE   | 25mm Dia, x 275mm FL, VIS-NIR Coated, Achromatic Lens |              |
| FOR INFORMATION ONLY: DO NOT MANUFACTURE PARTS TO THIS DRAWING                     |                         |   | ALL DIMS IN: mm   | DWG NO  | 49367        |
| INDICATIONS IN ACCORDANCE WITH ISO 10110   |                         |   |   | SHEET SIZE  | SHEET 3 OF 3 |