
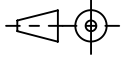
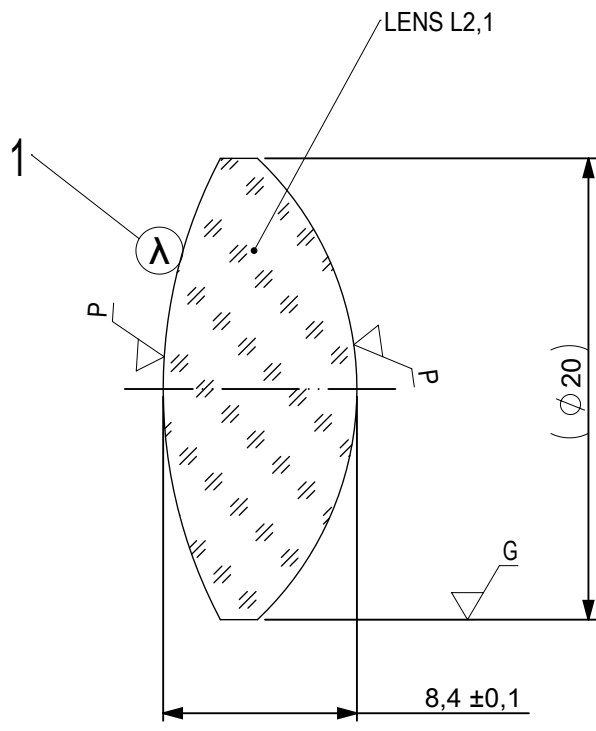


FOCAL LENGTH (EFL):  $30 \pm 0,3$   
 BACK FOCAL LENGTH (BFL): 24,7

1 BLACKENED SURFACE

SURFACE A	SURFACE B	SURFACE C
$\varnothing e 19$	$\varnothing e 19$	$\varnothing e 19$
CEMENT: NOA 61 OR EQUIVALENT		

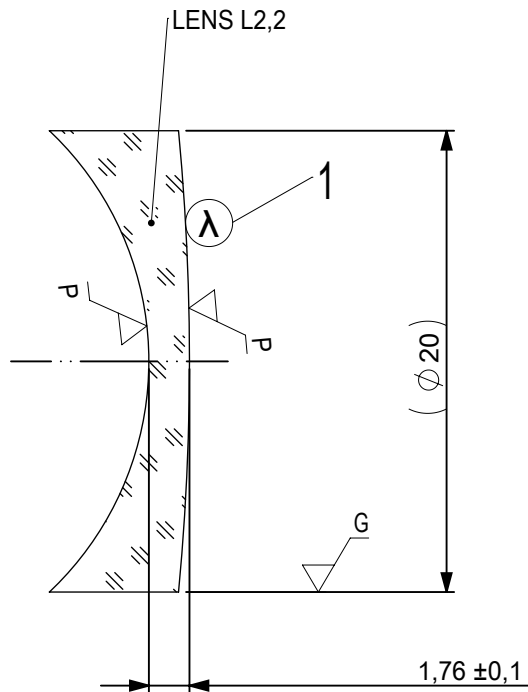
PROTECTIVE CHAMFERS AS NEEDED		FIRST ANGLE PROJECTION	 <b>Edmund Optics<sup>®</sup></b>			
ROHS: COMPLIANT	SCALE: NONE $\lambda = 587,6\text{nm}$					
SPECIFICATIONS SUBJECT TO CHANGE WITHOUT NOTICE. DIMENSIONS ARE FOR REFERENCE ONLY			TITLE	20mm Dia, x 30mm FL, VIS-NIR, Inked, Achromatic Lens		
FOR INFORMATION ONLY: DO NOT MANUFACTURE PARTS TO THIS DRAWING			ALL DIMS IN:	mm	DWG NO	
INDICATIONS IN ACCORDANCE WITH ISO 10110				49348INK	SHEET SIZE <b>A4</b>	SHEET 1 OF 3



1 AR COATING: VIS-NIR  
 R(ABS) ≤ 0,25% AT 880nm @ 0° AOI  
 R(AVG) ≤ 1,25% FROM 400-870nm @ 0° AOI  
 R(AVG) ≤ 1,25% FROM 890-1000nm @ 0° AOI

LEFT SURFACE	MATERIAL	RIGHT SURFACE
R 21,41±0,021 CX	GLASS S-BAH11 667/483	R 13,75±0,014 CX
Øe 19		Øe 19
3/ 3 (0,5) λ=632,8 nm		3/ 3 (0,5) λ=632,8 nm
4/ -		4/ -
5/ 40 - 20 (MIL-PRF-13830B)		5/ 40 - 20 (MIL-PRF-13830B)
6/ -		6/ -

PROTECTIVE CHAMFERS AS NEEDED		FIRST ANGLE PROJECTION	Edmund Optics®		
ROHS: COMPLIANT	SCALE: NONE λ = 587,6nm				
SPECIFICATIONS SUBJECT TO CHANGE WITHOUT NOTICE. DIMENSIONS ARE FOR REFERENCE ONLY			TITLE	20mm Dia, x 30mm FL, VIS-NIR, Inked, Achromatic Lens	
FOR INFORMATION ONLY: DO NOT MANUFACTURE PARTS TO THIS DRAWING			ALL DIMS IN: mm	DWG NO	49348INK
INDICATIONS IN ACCORDANCE WITH ISO 10110				SHEET SIZE A4	SHEET 2 OF 3



- 1 AR COATING: VIS-NIR  
 R(ABS) ≤ 0,25% AT 880nm @ 0° AOI  
 R(AVG) ≤ 1,25% FROM 400-870nm @ 0° AOI  
 R(AVG) ≤ 1,25% FROM 890-1000nm @ 0° AOI

LEFT SURFACE	MATERIAL	RIGHT SURFACE
R 13,75±0,014 CV Øe 19 3/ 3 (0,5) λ=632,8 nm 4/ - 5/ 40 - 20 (MIL-PRF-13830B) 6/ -	GLASS N-SF10 728/284	R 105,58±0,106 CX Øe 19 3/ 3 (0,5) λ=632,8 nm 4/ - 5/ 40 - 20 (MIL-PRF-13830B) 6/ -

PROTECTIVE CHAMFERS AS NEEDED

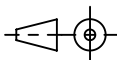
ROHS: COMPLIANT  
 SCALE: NONE λ = 587,6nm

SPECIFICATIONS SUBJECT TO CHANGE WITHOUT NOTICE. DIMENSIONS ARE FOR REFERENCE ONLY

FOR INFORMATION ONLY: DO NOT MANUFACTURE PARTS TO THIS DRAWING

INDICATIONS IN ACCORDANCE WITH ISO 10110

FIRST ANGLE PROJECTION



ALL DIMS IN: mm

**EO**® Edmund Optics®

TITLE 20mm Dia, x 30mm FL, VIS-NIR, Inked, Achromatic Lens

DWG NO 49348INK

SHEET SIZE A4 SHEET 3 OF 3