
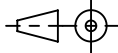
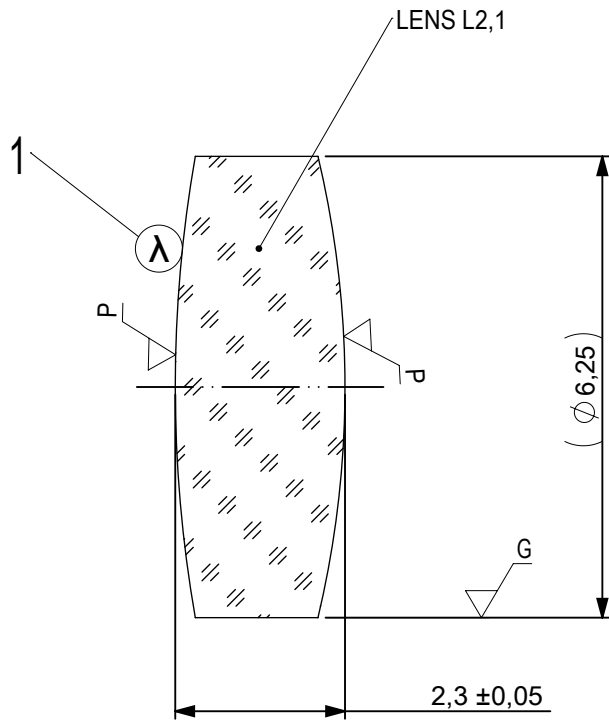


FOCAL LENGTH (EFL):  $30 \pm 0,3$   
 BACK FOCAL LENGTH (BFL):  $28,43$

SURFACE A	SURFACE B	SURFACE C
$\varnothing_e 5,625$	$\varnothing_e 5,625$	$\varnothing_e 5,625$
CEMENT: NOA 61 OR EQUIVALENT		

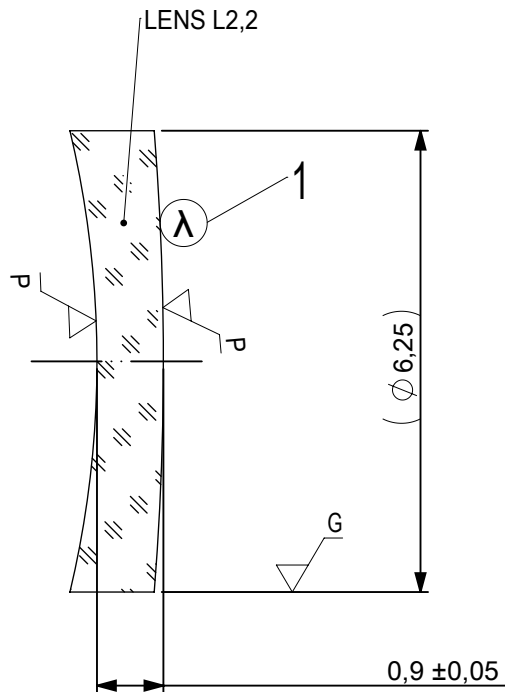
PROTECTIVE CHAMFERS AS NEEDED		FIRST ANGLE PROJECTION	 <b>Edmund Optics<sup>®</sup></b>	
ROHS: COMPLIANT	SCALE: NONE $\lambda = 587,6\text{nm}$			
SPECIFICATIONS SUBJECT TO CHANGE WITHOUT NOTICE. DIMENSIONS ARE FOR REFERENCE ONLY			TITLE	6,25mm Dia, x 30mm FL, VIS-NIR Coated, Achromatic Lens
FOR INFORMATION ONLY: DO NOT MANUFACTURE PARTS TO THIS DRAWING			ALL DIMS IN: mm	DWG NO
INDICATIONS IN ACCORDANCE WITH ISO 10110			SHEET SIZE	A4
				SHEET 1 OF 3



- 1 AR COATING: VIS-NIR  
 R(ABS) ≤ 0,25% AT 880nm @ 0° AOI  
 R(AVG) ≤ 1,25% FROM 400-870nm @ 0° AOI  
 R(AVG) ≤ 1,25% FROM 890-1000nm @ 0° AOI


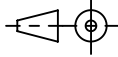
LEFT SURFACE	MATERIAL	RIGHT SURFACE
R 18,11±0,018 CX	GLASS N-BK7 517/642	R 13,51±0,014 CX
Øe 5,625		Øe 5,625
3/ 3 (0,5) λ=632,8 nm		3/ 3 (0,5) λ=632,8 nm
4/ -		4/ -
5/ 40 - 20 (MIL-PRF-13830B)		5/ 40 - 20 (MIL-PRF-13830B)
6/ -		6/ -

PROTECTIVE CHAMFERS AS NEEDED		FIRST ANGLE PROJECTION			
ROHS: COMPLIANT	SCALE: NONE λ = 587,6nm				
SPECIFICATIONS SUBJECT TO CHANGE WITHOUT NOTICE. DIMENSIONS ARE FOR REFERENCE ONLY			TITLE	6,25mm Dia, x 30mm FL, VIS-NIR Coated, Achromatic Lens	
FOR INFORMATION ONLY: DO NOT MANUFACTURE PARTS TO THIS DRAWING			ALL DIMS IN: mm	DWG NO	49308
INDICATIONS IN ACCORDANCE WITH ISO 10110					SHEET 2 OF 3



- 1 AR COATING: VIS-NIR  
 R(ABS) ≤ 0,25% AT 880nm @ 0° AOI  
 R(AVG) ≤ 1,25% FROM 400-870nm @ 0° AOI  
 R(AVG) ≤ 1,25% FROM 890-1000nm @ 0° AOI

LEFT SURFACE	MATERIAL	RIGHT SURFACE
R 13,51±0,014 CV	GLASS N-SF5 673/322	R 39,29±0,039 CX
Øe 5,625		Øe 5,625
3/ 3 (0,5) λ=632,8 nm		3/ 3 (0,5) λ=632,8 nm
4/ -		4/ -
5/ 40 - 20 (MIL-PRF-13830B)		5/ 40 - 20 (MIL-PRF-13830B)
6/ -		6/ -

PROTECTIVE CHAMFERS AS NEEDED		FIRST ANGLE PROJECTION	 <b>Edmund Optics®</b>			
ROHS: COMPLIANT	SCALE: NONE λ = 587,6nm					
SPECIFICATIONS SUBJECT TO CHANGE WITHOUT NOTICE. DIMENSIONS ARE FOR REFERENCE ONLY			TITLE	6,25mm Dia, x 30mm FL, VIS-NIR Coated, Achromatic Lens		
FOR INFORMATION ONLY: DO NOT MANUFACTURE PARTS TO THIS DRAWING			ALL DIMS IN:	mm	DWG NO	
INDICATIONS IN ACCORDANCE WITH ISO 10110				49308	SHEET SIZE A4	SHEET 3 OF 3