
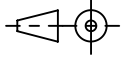
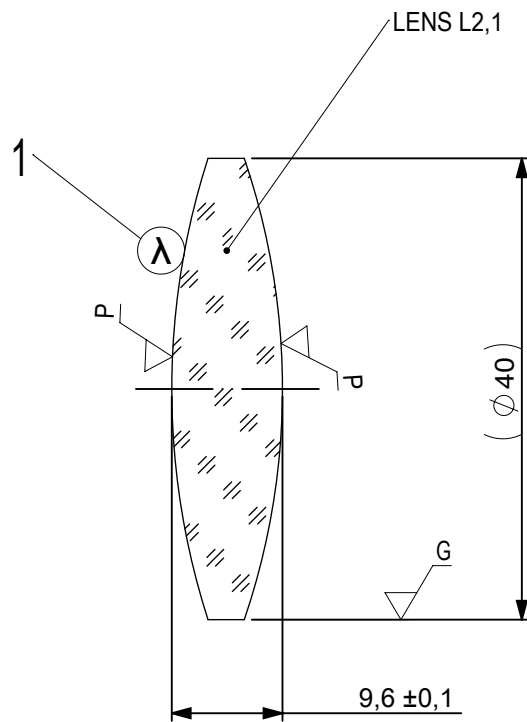


FOCAL LENGTH (EFL):  $120 \pm 1,2$   
 BACK FOCAL LENGTH (BFL): 111

SURFACE A	SURFACE B	SURFACE C
$\phi e 39$	$\phi e 39$	$\phi e 39$
CEMENT: NOA 61 OR EQUIVALENT		

PROTECTIVE CHAMFERS AS NEEDED		FIRST ANGLE PROJECTION			
ROHS: COMPLIANT	SCALE: NONE $\lambda = 587,6\text{nm}$				
SPECIFICATIONS SUBJECT TO CHANGE WITHOUT NOTICE. DIMENSIONS ARE FOR REFERENCE ONLY			TITLE 40mm Dia, x 120mm FL, VIS 0 Coated, Achromatic Lens		
FOR INFORMATION ONLY: DO NOT MANUFACTURE PARTS TO THIS DRAWING			ALL DIMS IN: mm	DWG NO 47739	SHEET SIZE A4
INDICATIONS IN ACCORDANCE WITH ISO 10110					



1 AR COATING: VIS 0°  
R(AVG) ≤ 0,4% FROM 425-675nm @ 0° AOI

LEFT SURFACE	MATERIAL	RIGHT SURFACE
R 65,22±0,065 CX	GLASS N-SSK8 618/498	R 62,03±0,062 CX
Øe 39		Øe 39
3/ 3 (0,5) λ=632,8 nm		3/ 3 (0,5) λ=632,8 nm
4/ -		4/ -
5/ 40 - 20 (MIL-PRF-13830B)		5/ 40 - 20 (MIL-PRF-13830B)
6/ -		6/ -

PROTECTIVE CHAMFERS AS NEEDED

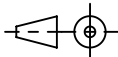
ROHS: COMPLIANT  
SCALE: NONE λ = 587,6nm

SPECIFICATIONS SUBJECT TO CHANGE WITHOUT NOTICE. DIMENSIONS ARE FOR REFERENCE ONLY

FOR INFORMATION ONLY: DO NOT MANUFACTURE PARTS TO THIS DRAWING

INDICATIONS IN ACCORDANCE WITH ISO 10110

FIRST ANGLE PROJECTION



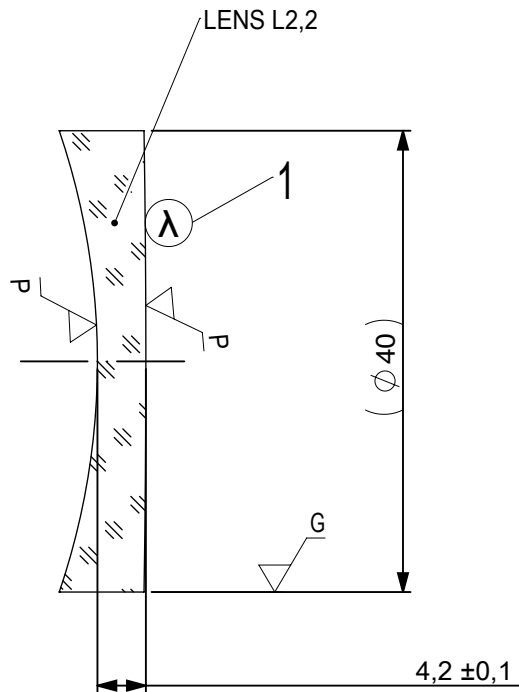
ALL DIMS IN: mm

**EO**® Edmund Optics®

TITLE 40mm Dia, x 120mm FL, VIS 0 Coated, Achromatic Lens

DWG NO 47739

SHEET SIZE A4 SHEET 2 OF 3



1 AR COATING: VIS 0°  
R(AVG) ≤ 0,4% FROM 425-675nm @ 0° AOI

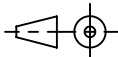
LEFT SURFACE	MATERIAL	RIGHT SURFACE
R 62,03±0,062 CV	GLASS N-SF10 728/284	R 1240,67±1,241 CX
Øe 39		Øe 39
3/ 3 (0,5) λ=632,8 nm		3/ 3 (0,5) λ=632,8 nm
4/ -		4/ -
5/ 40 - 20 (MIL-PRF-13830B)		5/ 40 - 20 (MIL-PRF-13830B)
6/ -		6/ -

PROTECTIVE CHAMFERS AS NEEDED

ROHS:  
COMPLIANT

SCALE:  
NONE λ = 587,6nm

FIRST ANGLE  
PROJECTION



**EO**® Edmund Optics®

SPECIFICATIONS SUBJECT TO CHANGE WITHOUT  
NOTICE. DIMENSIONS ARE FOR REFERENCE ONLY

TITLE

40mm Dia, x 120mm FL, VIS 0 Coated,  
Achromatic Lens

FOR INFORMATION ONLY: DO NOT MANUFACTURE  
PARTS TO THIS DRAWING

ALL DIMS  
IN: mm

DWG NO

47739

SHEET SIZE  
A4

SHEET  
3 OF 3

INDICATIONS IN ACCORDANCE WITH ISO 10110