
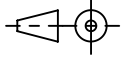
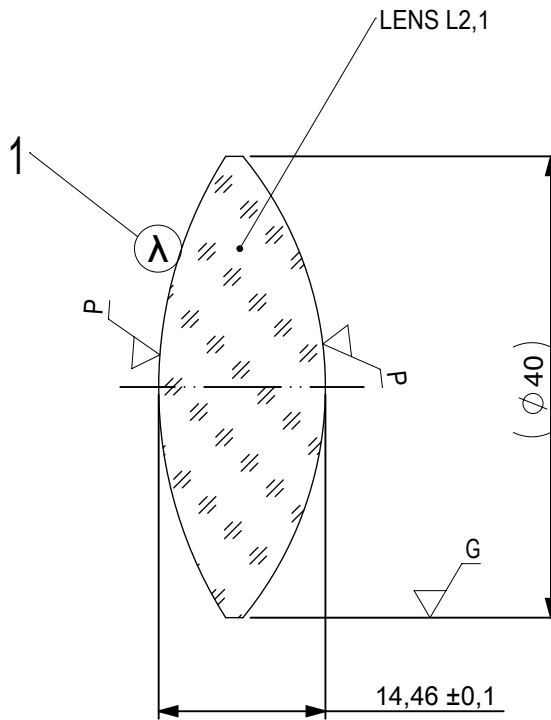


FOCAL LENGTH (EFL): $60 \pm 0,6$
 BACK FOCAL LENGTH (BFL): $50,29$

1 BLACKENED SURFACE


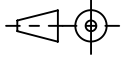
| SURFACE A | SURFACE B | SURFACE C |
|------------------------------|--------------------|--------------------|
| $\varnothing e 39$ | $\varnothing e 39$ | $\varnothing e 39$ |
| CEMENT: NOA 61 OR EQUIVALENT | | |

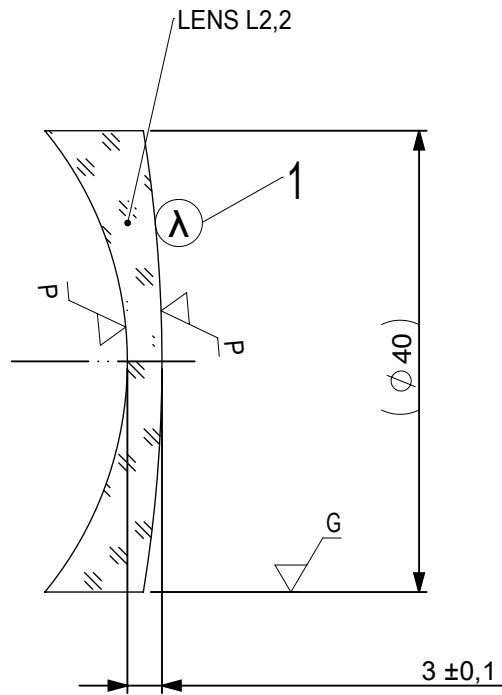
| | | | | | |
|--|--|---|--|--|--------------|
| PROTECTIVE CHAMFERS AS NEEDED | | FIRST ANGLE PROJECTION |  | | |
| ROHS: COMPLIANT | SCALE: NONE $\lambda = 587,6\text{nm}$ | | | | |
| SPECIFICATIONS SUBJECT TO CHANGE WITHOUT NOTICE. DIMENSIONS ARE FOR REFERENCE ONLY | |  | TITLE | 40mm Dia, x 60mm FL, VIS 0, Inked, Achromatic Lens | |
| FOR INFORMATION ONLY: DO NOT MANUFACTURE PARTS TO THIS DRAWING | | | ALL DIMS IN: | mm | DWG NO |
| INDICATIONS IN ACCORDANCE WITH ISO 10110 | | | | SHEET SIZE | A4 |
| | | | | | SHEET 1 OF 3 |



1 AR COATING: VIS 0°
R(AVG) ≤ 0,4% FROM 425-675nm @ 0° AOI


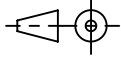
| LEFT SURFACE | MATERIAL | RIGHT SURFACE |
|---|----------------------|---|
| R 37,33±0,037 CX Øe 39 3/ 3 (0,5) λ=632,8 nm 4/ - 5/ 40 - 20 (MIL-PRF-13830B) 6/ - | GLASS N-SK11 564/608 | R 31,54±0,032 CX Øe 39 3/ 3 (0,5) λ=632,8 nm 4/ - 5/ 40 - 20 (MIL-PRF-13830B) 6/ - |

| | | | | | |
|--|-------------------------|---|--|--|--------------|
| PROTECTIVE CHAMFERS AS NEEDED | | FIRST ANGLE PROJECTION |  | | |
| ROHS: COMPLIANT | SCALE: NONE λ = 587,6nm | | | | |
| SPECIFICATIONS SUBJECT TO CHANGE WITHOUT NOTICE. DIMENSIONS ARE FOR REFERENCE ONLY | |  | TITLE | 40mm Dia, x 60mm FL, VIS 0, Inked, Achromatic Lens | |
| FOR INFORMATION ONLY: DO NOT MANUFACTURE PARTS TO THIS DRAWING | | | ALL DIMS IN: mm | DWG NO | 477371NK |
| INDICATIONS IN ACCORDANCE WITH ISO 10110 | | | | SHEET SIZE | SHEET 2 OF 3 |



1 AR COATING: VIS 0°
R(AVG) ≤ 0,4% FROM 425-675nm @ 0° AOI

| LEFT SURFACE | MATERIAL | RIGHT SURFACE |
|---|---------------------|--|
| R 31,54±0,032 CV Øe 39 3/ 3 (0,5) λ=632,8 nm 4/ - 5/ 40 - 20 (MIL-PRF-13830B) 6/ - | GLASS N-SF5 673/322 | R 124,51±0,125 CX Øe 39 3/ 3 (0,5) λ=632,8 nm 4/ - 5/ 40 - 20 (MIL-PRF-13830B) 6/ - |

| | | | | | |
|--|-------------------------|---|---|--|--------------|
| PROTECTIVE CHAMFERS AS NEEDED | | FIRST ANGLE PROJECTION |  Edmund Optics® | | |
| ROHS: COMPLIANT | SCALE: NONE λ = 587,6nm | | | | |
| SPECIFICATIONS SUBJECT TO CHANGE WITHOUT NOTICE. DIMENSIONS ARE FOR REFERENCE ONLY | |  | TITLE | 40mm Dia, x 60mm FL, VIS 0, Inked, Achromatic Lens | |
| FOR INFORMATION ONLY: DO NOT MANUFACTURE PARTS TO THIS DRAWING | | | ALL DIMS IN: | DWG NO | 477371NK |
| INDICATIONS IN ACCORDANCE WITH ISO 10110 | | mm | | SHEET SIZE | SHEET 3 OF 3 |