
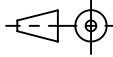
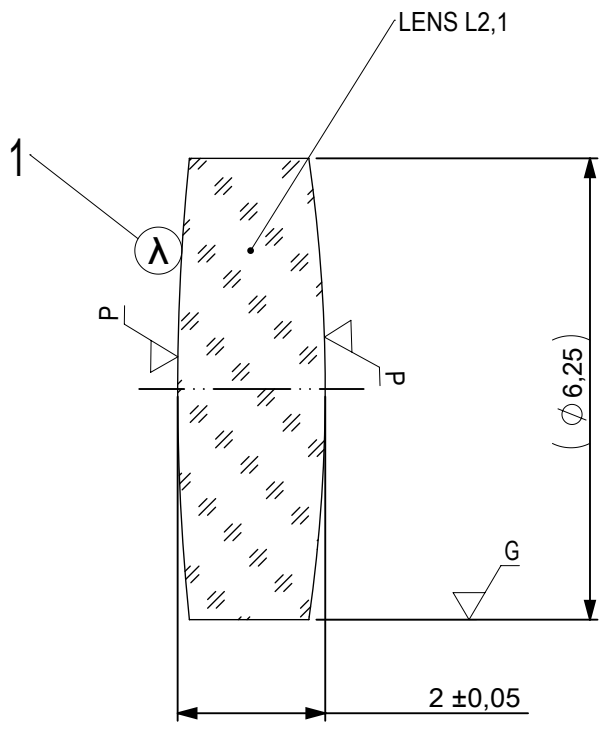


FOCAL LENGTH (EFL): 50 ±0,5
 BACK FOCAL LENGTH (BFL): 48,61

| SURFACE A | SURFACE B | SURFACE C |
|------------------------------|-----------|-----------|
| Øe 5,625 | Øe 5,625 | Øe 5,625 |
| CEMENT: NOA 61 OR EQUIVALENT | | |

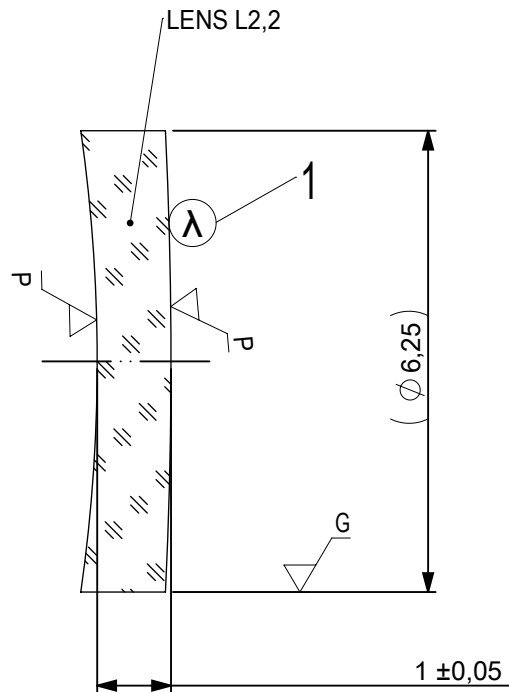
| | | | | | | | | | |
|--|--|---|---|--|--------|-------|------------|----|-------|
| PROTECTIVE CHAMFERS AS NEEDED | | FIRST ANGLE PROJECTION |  Edmund Optics® | | | | | | |
| ROHS: COMPLIANT | SCALE: NONE $\lambda = 587,6\text{nm}$ | | | | | | | | |
| SPECIFICATIONS SUBJECT TO CHANGE WITHOUT NOTICE. DIMENSIONS ARE FOR REFERENCE ONLY | |  | TITLE | 6,25mm Dia, X 50mm FL, VIS 0 Coated, Achromatic Lens | | | | | |
| FOR INFORMATION ONLY: DO NOT MANUFACTURE PARTS TO THIS DRAWING | | | ALL DIMS IN: | mm | DWG NO | 47697 | SHEET SIZE | A4 | SHEET |
| INDICATIONS IN ACCORDANCE WITH ISO 10110 | | | | | | | | | |



1 AR COATING: VIS 0°
R(AVG) ≤ 0,4% FROM 425-675nm @ 0° AOI

| LEFT SURFACE | MATERIAL | RIGHT SURFACE |
|--|---------------------|--|
| R 30,77±0,031 CX Øe 5,625 3/ 3 (0,5) λ=632,8 nm 4/ - 5/ 40 - 20 (MIL-PRF-13830B) 6/ - | GLASS N-BK7 517/642 | R 22,05±0,022 CX Øe 5,625 3/ 3 (0,5) λ=632,8 nm 4/ - 5/ 40 - 20 (MIL-PRF-13830B) 6/ - |

| | | | | | | |
|--|-------------------------|------------------------|-----------------------|--|---------------|--------------|
| PROTECTIVE CHAMFERS AS NEEDED | | FIRST ANGLE PROJECTION | Edmund Optics® | | | |
| ROHS: COMPLIANT | SCALE: NONE λ = 587,6nm | | | | | |
| SPECIFICATIONS SUBJECT TO CHANGE WITHOUT NOTICE. DIMENSIONS ARE FOR REFERENCE ONLY | | | TITLE | 6,25mm Dia, X 50mm FL, VIS 0 Coated, Achromatic Lens | | |
| FOR INFORMATION ONLY: DO NOT MANUFACTURE PARTS TO THIS DRAWING | | | ALL DIMS IN: | mm | DWG NO | |
| INDICATIONS IN ACCORDANCE WITH ISO 10110 | | | | 47697 | SHEET SIZE A4 | SHEET 2 OF 3 |



1 AR COATING: VIS 0°
R(AVG) ≤ 0,4% FROM 425-675nm @ 0° AOI

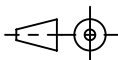
| LEFT SURFACE | MATERIAL | RIGHT SURFACE |
|--|---------------------|---|
| R 22,05±0,022 CV Øe 5,625 3/ 3 (0,5) λ=632,8 nm 4/ - 5/ 40 - 20 (MIL-PRF-13830B) 6/ - | GLASS N-SF5 673/322 | R 64,6±0,065 CX Øe 5,625 3/ 3 (0,5) λ=632,8 nm 4/ - 5/ 40 - 20 (MIL-PRF-13830B) 6/ - |

PROTECTIVE CHAMFERS AS NEEDED

ROHS:
COMPLIANT

SCALE:
NONE λ = 587,6nm

FIRST ANGLE
PROJECTION



EO® Edmund Optics®

SPECIFICATIONS SUBJECT TO CHANGE WITHOUT
NOTICE. DIMENSIONS ARE FOR REFERENCE ONLY

FOR INFORMATION ONLY: DO NOT MANUFACTURE
PARTS TO THIS DRAWING

ALL DIMS
IN: mm

TITLE

6,25mm Dia, X 50mm FL, VIS 0 Coated,
Achromatic Lens

DWG NO

47697

SHEET SIZE
A4

SHEET
3 OF 3

INDICATIONS IN ACCORDANCE WITH ISO 10110