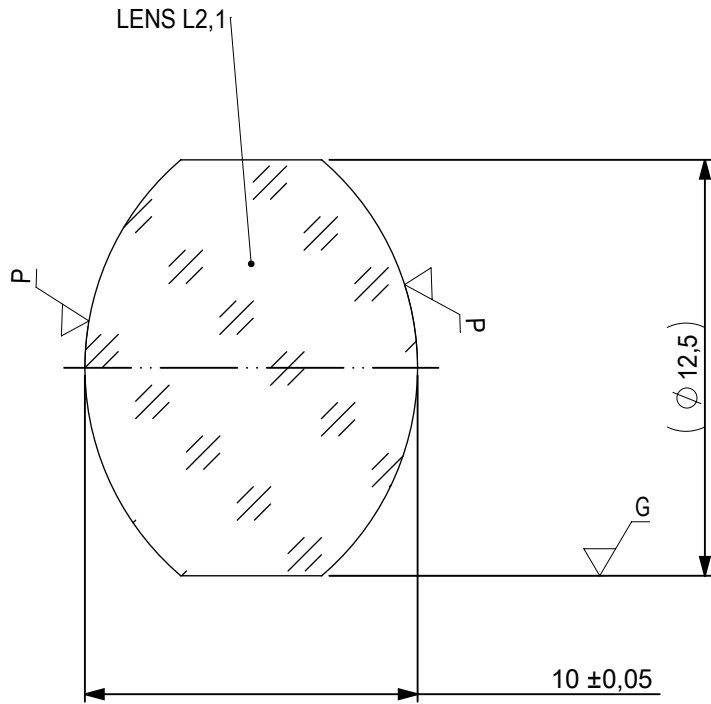



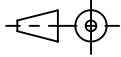
FOCAL LENGTH (EFL): $25 \pm 0,25$
 BACK FOCAL LENGTH (BFL): $17,82$

SURFACE A		SURFACE B		SURFACE C		SURFACE D	
$\varnothing e$	11,5	$\varnothing e$	11,5	$\varnothing e$	11,5	$\varnothing e$	11,5
CEMENT: NOA 61 OR EQUIVALENT				CEMENT: NOA 61 OR EQUIVALENT			

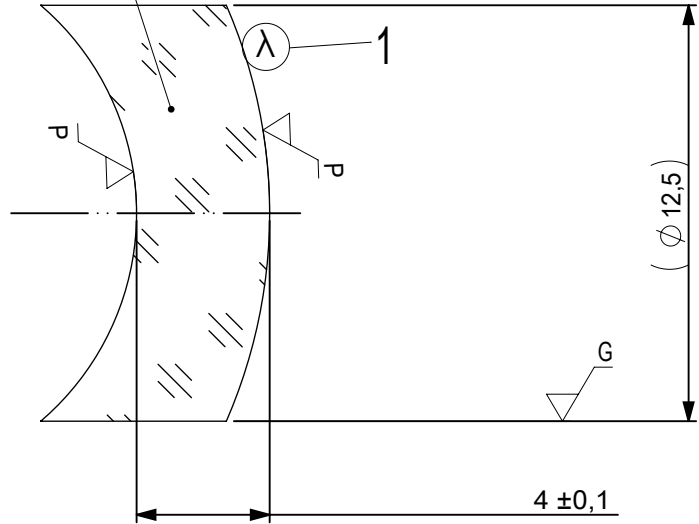
PROTECTIVE CHAMFERS AS NEEDED		FIRST ANGLE PROJECTION 	Edmund Optics®	
ROHS: COMPLIANT	SCALE: NONE			
SPECIFICATIONS SUBJECT TO CHANGE WITHOUT NOTICE. DIMENSIONS ARE FOR REFERENCE ONLY			TITLE	12,5 x 25mm EFL Steinheil Triplet Achromatic Lens
FOR INFORMATION ONLY: DO NOT MANUFACTURE PARTS TO THIS DRAWING			DWG NO	47675
INDICATIONS IN ACCORDANCE WITH ISO 10110			ALL DIMS IN:	mm
			SHEET SIZE	A4
			SHEET	1 OF 3



LEFT SURFACE	MATERIAL	RIGHT SURFACE
R 8,22±0,008 CX Øe 11,5 3/ 3 (0,5) λ=632,8 nm 4/ - 5/ 40 - 20 (MIL-PRF-13830B) 6/ -	GLASS N-BK7 704/394	R 8,22±0,008 CX Øe 11,5 3/ 3 (0,5) λ=632,8 nm 4/ - 5/ 40 - 20 (MIL-PRF-13830B) 6/ -

PROTECTIVE CHAMFERS AS NEEDED		FIRST ANGLE PROJECTION	 Edmund Optics®			
ROHS: COMPLIANT	SCALE: NONE λ = 587,6nm					
SPECIFICATIONS SUBJECT TO CHANGE WITHOUT NOTICE. DIMENSIONS ARE FOR REFERENCE ONLY			TITLE	12,5 x 25mm EFL Steinheil Triplet Achromatic Lens		
FOR INFORMATION ONLY: DO NOT MANUFACTURE PARTS TO THIS DRAWING			ALL DIMS IN:	mm	DWG NO	
INDICATIONS IN ACCORDANCE WITH ISO 10110				47675	SHEET SIZE A4	SHEET 2 OF 3

LENS L2,2



1 AR COATING:

$\frac{1}{4}$ WAVE MgF₂ @ 550nm
R(AVG) < 1,75% FROM 400-700nm (N-BK7)

LEFT SURFACE	MATERIAL	RIGHT SURFACE
R 8.22±0.008 CV Øe 11,5 3/ 3 (0,5) λ=632,8 nm 4/ - 5/ 40 - 20 (MIL-PRF-13830B) 6/ -	GLASS N-BaSF64 517/642	R 15.65±0.016 CX Øe 11,5 3/ 3 (0,5) λ=632,8 nm 4/ - 5/ 40 - 20 (MIL-PRF-13830B) 6/ -

PROTECTIVE CHAMFERS AS NEEDED

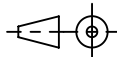
ROHS: COMPLIANT SCALE: NONE λ = 587,6nm

SPECIFICATIONS SUBJECT TO CHANGE WITHOUT NOTICE. DIMENSIONS ARE FOR REFERENCE ONLY

FOR INFORMATION ONLY: DO NOT MANUFACTURE PARTS TO THIS DRAWING

INDICATIONS IN ACCORDANCE WITH ISO 10110

FIRST ANGLE PROJECTION



ALL DIMS IN: mm



Edmund Optics®

TITLE 12,5 x 25mm EFL Steinheil Triplet Achromatic Lens

DWG NO 47675

SHEET SIZE A4

SHEET 3 OF 3