
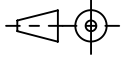
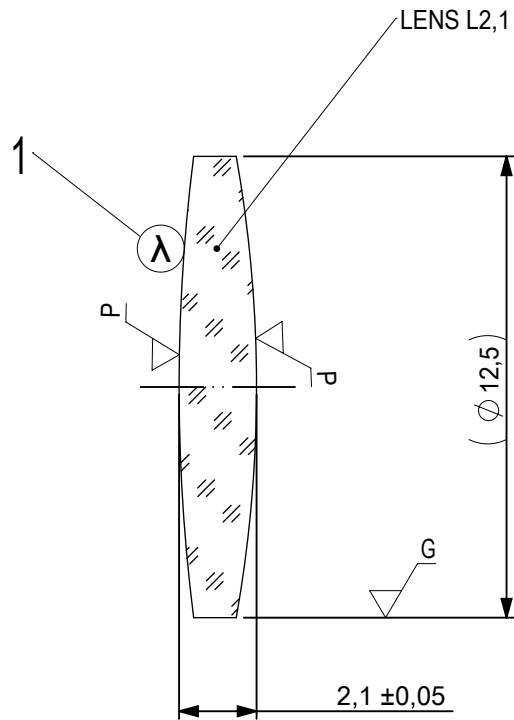


FOCAL LENGTH (EFL): $80 \pm 0,8$
 BACK FOCAL LENGTH (BFL): 78,4

1 BLACKENED SURFACE


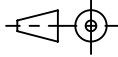
| SURFACE A | SURFACE B | SURFACE C |
|------------------------------|----------------------|----------------------|
| $\varnothing_e 11,5$ | $\varnothing_e 11,5$ | $\varnothing_e 11,5$ |
| CEMENT: NOA 61 OR EQUIVALENT | | |

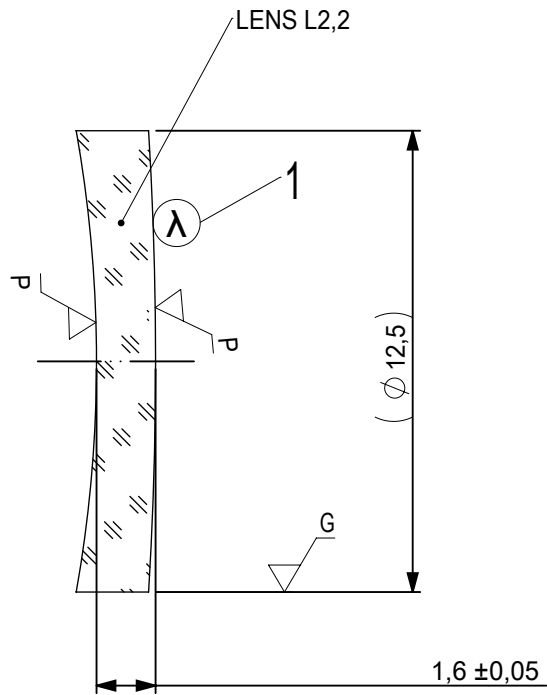
| | | | | | |
|--|--|---|--|--|--------------|
| PROTECTIVE CHAMFERS AS NEEDED | | FIRST ANGLE PROJECTION |  | | |
| ROHS: COMPLIANT | SCALE: NONE $\lambda = 587,6\text{nm}$ | | | | |
| SPECIFICATIONS SUBJECT TO CHANGE WITHOUT NOTICE. DIMENSIONS ARE FOR REFERENCE ONLY | |  | TITLE | 12,5mm Dia, x 80mm FL, VIS 0, Inked, Achromatic Lens | |
| FOR INFORMATION ONLY: DO NOT MANUFACTURE PARTS TO THIS DRAWING | | | ALL DIMS IN: | DWG NO | 47670INK |
| INDICATIONS IN ACCORDANCE WITH ISO 10110 | | mm | | | SHEET 1 OF 3 |



1 AR COATING: VIS 0°
R(AVG) ≤ 0,4% FROM 425-675nm @ 0° AOI

| LEFT SURFACE | MATERIAL | RIGHT SURFACE |
|--|---------------------|---|
| R 49,62±0,05 CX Øe 11,5 3/ 3 (0,5) λ=632,8 nm 4/ - 5/ 40 - 20 (MIL-PRF-13830B) 6/ - | GLASS N-BK7 517/642 | R 35,73±0,036 CX Øe 11,5 3/ 3 (0,5) λ=632,8 nm 4/ - 5/ 40 - 20 (MIL-PRF-13830B) 6/ - |

| | | | | | | |
|--|-------------------------|---|---|--|---------------|--------------|
| PROTECTIVE CHAMFERS AS NEEDED | | FIRST ANGLE PROJECTION |  Edmund Optics® | | | |
| ROHS: COMPLIANT | SCALE: NONE λ = 587,6nm | | | | | |
| SPECIFICATIONS SUBJECT TO CHANGE WITHOUT NOTICE. DIMENSIONS ARE FOR REFERENCE ONLY | |  | TITLE | 12,5mm Dia, x 80mm FL, VIS 0, Inked, Achromatic Lens | | |
| FOR INFORMATION ONLY: DO NOT MANUFACTURE PARTS TO THIS DRAWING | | | ALL DIMS IN: | mm | DWG NO | |
| INDICATIONS IN ACCORDANCE WITH ISO 10110 | | | | 476701NK | SHEET SIZE A4 | SHEET 2 OF 3 |



1 AR COATING: VIS 0°
R(AVG) ≤ 0,4% FROM 425-675nm @ 0° AOI

| LEFT SURFACE | MATERIAL | RIGHT SURFACE |
|---|---------------------|--|
| R 35,73±0,036 CV Øe 11,5 3/ 3 (0,5) λ=632,8 nm 4/ - 5/ 40 - 20 (MIL-PRF-13830B) 6/ - | GLASS N-SF5 673/322 | R 103,22±0,103 CX Øe 11,5 3/ 3 (0,5) λ=632,8 nm 4/ - 5/ 40 - 20 (MIL-PRF-13830B) 6/ - |

PROTECTIVE CHAMFERS AS NEEDED

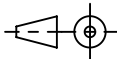
ROHS: COMPLIANT SCALE: NONE λ = 587,6nm

SPECIFICATIONS SUBJECT TO CHANGE WITHOUT NOTICE. DIMENSIONS ARE FOR REFERENCE ONLY

FOR INFORMATION ONLY: DO NOT MANUFACTURE PARTS TO THIS DRAWING

INDICATIONS IN ACCORDANCE WITH ISO 10110

FIRST ANGLE PROJECTION



ALL DIMS IN: mm



Edmund Optics®

TITLE 12,5mm Dia, x 80mm FL, VIS 0, Inked, Achromatic Lens

DWG NO 47670INK

SHEET SIZE A4

SHEET 3 OF 3