
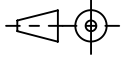
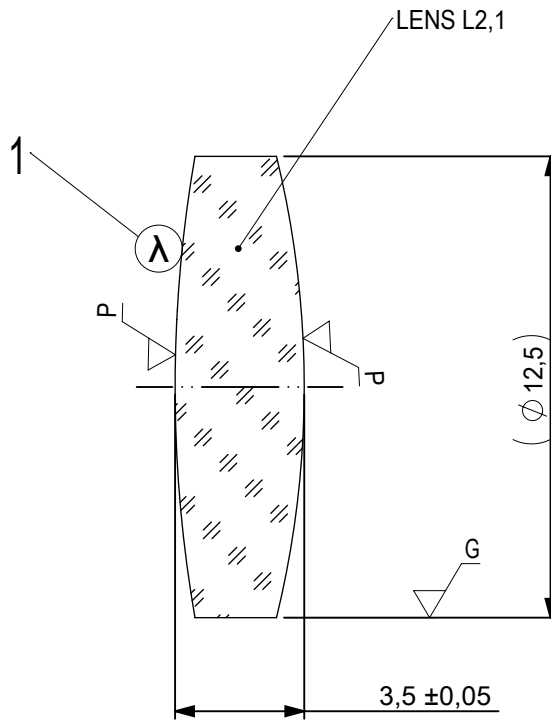


FOCAL LENGTH (EFL): 60 ± 0,6
 BACK FOCAL LENGTH (BFL): 57,59

1 BLACKENED SURFACE

| SURFACE A | SURFACE B | SURFACE C |
|------------------------------|-----------|-----------|
| Øe 11,5 | Øe 11,5 | Øe 11,5 |
| CEMENT: NOA 61 OR EQUIVALENT | | |

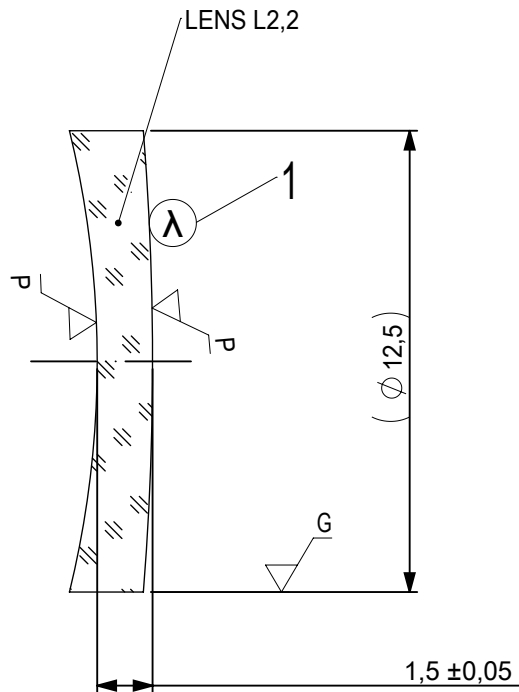
| | | | | | |
|--|--|---|--|--|--------------|
| PROTECTIVE CHAMFERS AS NEEDED | | FIRST ANGLE PROJECTION |  | | |
| ROHS: COMPLIANT | SCALE: NONE $\lambda = 587,6\text{nm}$ | | | | |
| SPECIFICATIONS SUBJECT TO CHANGE WITHOUT NOTICE. DIMENSIONS ARE FOR REFERENCE ONLY | |  | TITLE | 12,5mm Dia, x 60mm FL, VIS 0, Inked, Achromatic Lens | |
| FOR INFORMATION ONLY: DO NOT MANUFACTURE PARTS TO THIS DRAWING | | | ALL DIMS IN: | DWG NO | 476681NK |
| INDICATIONS IN ACCORDANCE WITH ISO 10110 | | mm | | | SHEET 1 OF 3 |



1 AR COATING: VIS 0°
R(AVG) ≤ 0,4% FROM 425-675nm @ 0° AOI

| LEFT SURFACE | MATERIAL | RIGHT SURFACE |
|---|---------------------|---|
| R 36,51±0,037 CX Øe 11,5 3/ 3 (0,5) λ=632,8 nm 4/ - 5/ 40 - 20 (MIL-PRF-13830B) 6/ - | GLASS N-BK7 517/642 | R 26,33±0,026 CX Øe 11,5 3/ 3 (0,5) λ=632,8 nm 4/ - 5/ 40 - 20 (MIL-PRF-13830B) 6/ - |

| | | | | | | |
|--|-------------------------|------------------------|-----------------------|--|---------------|--------------|
| PROTECTIVE CHAMFERS AS NEEDED | | FIRST ANGLE PROJECTION | Edmund Optics® | | | |
| ROHS: COMPLIANT | SCALE: NONE λ = 587,6nm | | | | | |
| SPECIFICATIONS SUBJECT TO CHANGE WITHOUT NOTICE. DIMENSIONS ARE FOR REFERENCE ONLY | | | TITLE | 12,5mm Dia, x 60mm FL, VIS 0, Inked, Achromatic Lens | | |
| FOR INFORMATION ONLY: DO NOT MANUFACTURE PARTS TO THIS DRAWING | | | ALL DIMS IN: | mm | DWG NO | |
| INDICATIONS IN ACCORDANCE WITH ISO 10110 | | | | 476681NK | SHEET SIZE A4 | SHEET 2 OF 3 |



1 AR COATING: VIS 0°
R(AVG) ≤ 0,4% FROM 425-675nm @ 0° AOI

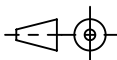
| LEFT SURFACE | MATERIAL | RIGHT SURFACE |
|---|---------------------|---|
| R 26,33±0,026 CV Øe 11,5 3/ 3 (0,5) λ=632,8 nm 4/ - 5/ 40 - 20 (MIL-PRF-13830B) 6/ - | GLASS N-SF5 673/322 | R 78,35±0,078 CX Øe 11,5 3/ 3 (0,5) λ=632,8 nm 4/ - 5/ 40 - 20 (MIL-PRF-13830B) 6/ - |

PROTECTIVE CHAMFERS AS NEEDED

ROHS:
COMPLIANT

SCALE:
NONE λ = 587,6nm

FIRST ANGLE
PROJECTION



EO® Edmund Optics®

SPECIFICATIONS SUBJECT TO CHANGE WITHOUT
NOTICE. DIMENSIONS ARE FOR REFERENCE ONLY

TITLE

12,5mm Dia, x 60mm FL, VIS 0, Inked,
Achromatic Lens

FOR INFORMATION ONLY: DO NOT MANUFACTURE
PARTS TO THIS DRAWING

ALL DIMS
IN: mm

DWG NO

476681NK

SHEET SIZE
A4

SHEET
3 OF 3

INDICATIONS IN ACCORDANCE WITH ISO 10110