
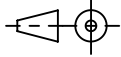
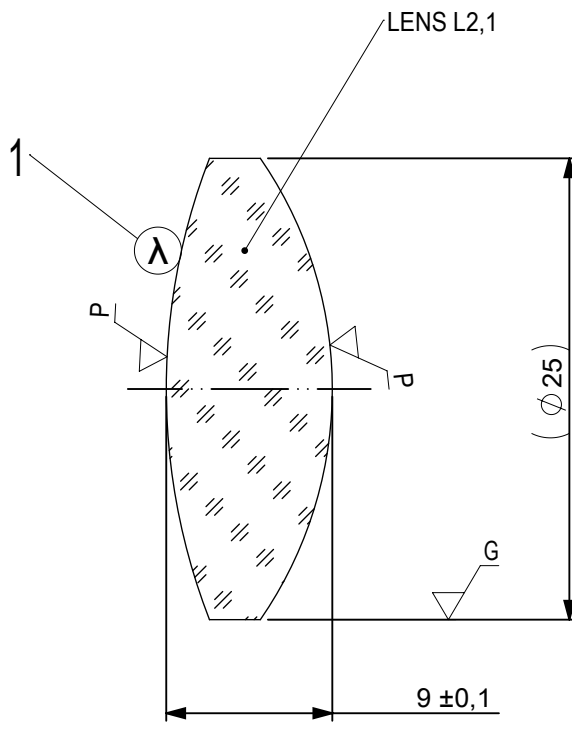


FOCAL LENGTH (EFL): $50 \pm 0,5$
 BACK FOCAL LENGTH (BFL): 43,53

SURFACE A	SURFACE B	SURFACE C
$\varnothing e 24$	$\varnothing e 24$	$\varnothing e 24$
CEMENT: NOA 61 OR EQUIVALENT		

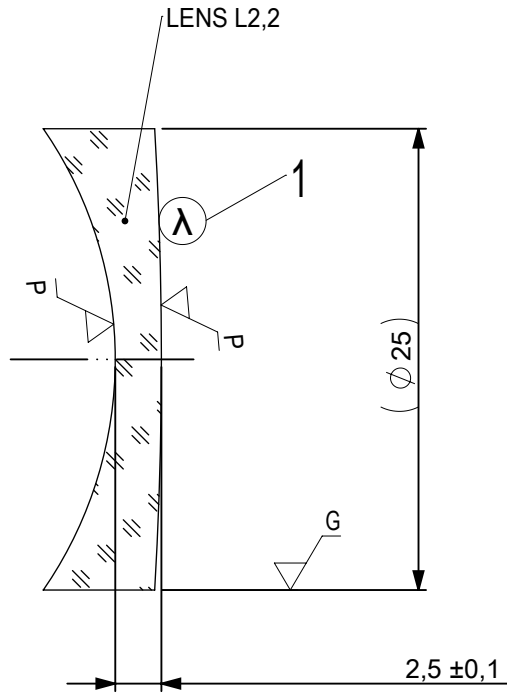
PROTECTIVE CHAMFERS AS NEEDED		FIRST ANGLE PROJECTION	 Edmund Optics®			
ROHS: COMPLIANT	SCALE: NONE $\lambda = 587,6\text{nm}$					
SPECIFICATIONS SUBJECT TO CHANGE WITHOUT NOTICE. DIMENSIONS ARE FOR REFERENCE ONLY			TITLE	25mm Dia, x 50mm FL, VIS 0 Coated, Achromatic Lens		
FOR INFORMATION ONLY: DO NOT MANUFACTURE PARTS TO THIS DRAWING			ALL DIMS IN:	mm	DWG NO	
INDICATIONS IN ACCORDANCE WITH ISO 10110				47637	SHEET SIZE A4	SHEET 1 OF 3



1 AR COATING: VIS 0°
R(AVG) ≤ 0,4% FROM 425-675nm @ 0° AOI

LEFT SURFACE	MATERIAL	RIGHT SURFACE
R 34,53±0,035 CX Øe 24 3/ 3 (0,5) λ=632,8 nm 4/ - 5/ 40 - 20 (MIL-PRF-13830B) 6/ -	GLASS N-BaF10 670/472	R 21,98±0,022 CX Øe 24 3/ 3 (0,5) λ=632,8 nm 4/ - 5/ 40 - 20 (MIL-PRF-13830B) 6/ -

PROTECTIVE CHAMFERS AS NEEDED		FIRST ANGLE PROJECTION	Edmund Optics®				
ROHS: COMPLIANT	SCALE: NONE λ = 587,6nm						
SPECIFICATIONS SUBJECT TO CHANGE WITHOUT NOTICE. DIMENSIONS ARE FOR REFERENCE ONLY			TITLE	25mm Dia, x 50mm FL, VIS 0 Coated, Achromatic Lens			
FOR INFORMATION ONLY: DO NOT MANUFACTURE PARTS TO THIS DRAWING			ALL DIMS IN:	mm	DWG NO	47637	
INDICATIONS IN ACCORDANCE WITH ISO 10110				SHEET SIZE	A4	SHEET	2 OF 3



1 AR COATING: VIS 0°
R(AVG) ≤ 0,4% FROM 425-675nm @ 0° AOI

LEFT SURFACE	MATERIAL	RIGHT SURFACE
R 21,98±0,022 CV Øe 24 3/ 3 (0,5) λ=632,8 nm 4/ - 5/ 40 - 20 (MIL-PRF-13830B) 6/ -	GLASS N-SF10 728/284	R 214,63±0,215 CX Øe 24 3/ 3 (0,5) λ=632,8 nm 4/ - 5/ 40 - 20 (MIL-PRF-13830B) 6/ -

PROTECTIVE CHAMFERS AS NEEDED		FIRST ANGLE PROJECTION	Edmund Optics®				
ROHS: COMPLIANT	SCALE: NONE λ = 587,6nm						
SPECIFICATIONS SUBJECT TO CHANGE WITHOUT NOTICE. DIMENSIONS ARE FOR REFERENCE ONLY			TITLE	25mm Dia, x 50mm FL, VIS 0 Coated, Achromatic Lens			
FOR INFORMATION ONLY: DO NOT MANUFACTURE PARTS TO THIS DRAWING			ALL DIMS IN:	mm	DWG NO	47637	
INDICATIONS IN ACCORDANCE WITH ISO 10110				SHEET SIZE	A4	SHEET	3 OF 3