
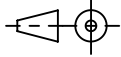
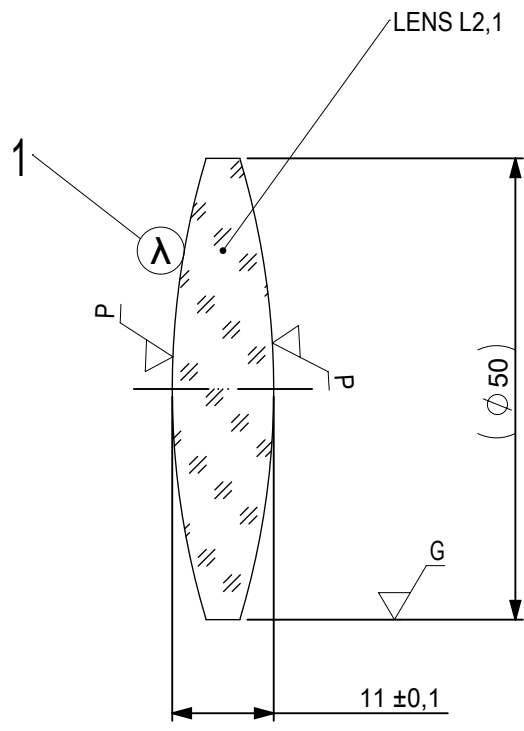


FOCAL LENGTH (EFL):  $150 \pm 1,5$   
 BACK FOCAL LENGTH (BFL):  $139,87$

SURFACE A	SURFACE B	SURFACE C
$\phi_e 49$	$\phi_e 49$	$\phi_e 49$
CEMENT: NOA 61 OR EQUIVALENT		

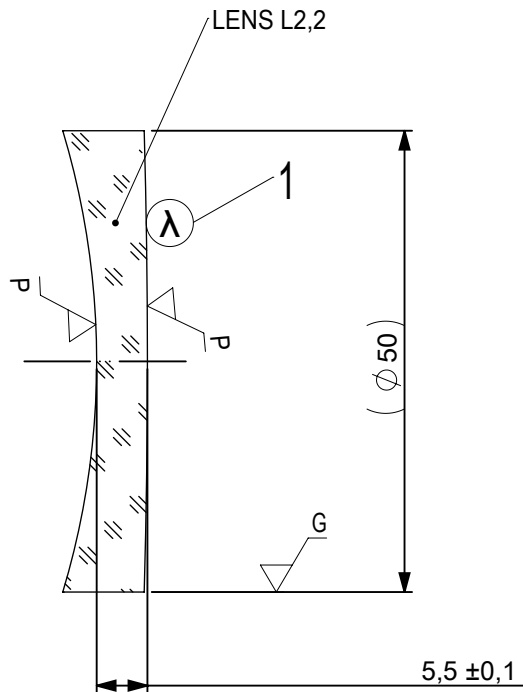
PROTECTIVE CHAMFERS AS NEEDED		FIRST ANGLE PROJECTION	 <b>Edmund Optics<sup>®</sup></b>		
ROHS: COMPLIANT	SCALE: NONE $\lambda = 880\text{nm}$				
SPECIFICATIONS SUBJECT TO CHANGE WITHOUT NOTICE. DIMENSIONS ARE FOR REFERENCE ONLY			TITLE	50mm Dia, x 150mm FL, NIR II Coated, Achromatic Lens	
FOR INFORMATION ONLY: DO NOT MANUFACTURE PARTS TO THIS DRAWING			ALL DIMS IN:	mm	DWG NO
INDICATIONS IN ACCORDANCE WITH ISO 10110				SHEET SIZE	A4
					SHEET 1 OF 3



1 AR COATING: NIR II  
 R(ABS) ≤ 1,5% FROM 750-800nm @ 0° AOI  
 R(ABS) ≤ 1,0% FROM 800-1550nm @ 0° AOI  
 R(AVG) ≤ 0,7% FROM 750-1550nm @ 0° AOI

LEFT SURFACE	MATERIAL	RIGHT SURFACE
R 86,842±0,087 CX Øe 49 3/ 3 (0,5) λ=632,8 nm 4/ - 5/ 40 - 20 (MIL-PRF-13830B) 6/ -	GLASS N-LaK22 651/559	R 86,842±0,087 CX Øe 49 3/ 3 (0,5) λ=632,8 nm 4/ - 5/ 40 - 20 (MIL-PRF-13830B) 6/ -

PROTECTIVE CHAMFERS AS NEEDED		FIRST ANGLE PROJECTION	Edmund Optics®			
ROHS: COMPLIANT	SCALE: NONE λ = 880nm					
SPECIFICATIONS SUBJECT TO CHANGE WITHOUT NOTICE. DIMENSIONS ARE FOR REFERENCE ONLY			TITLE	50mm Dia, x 150mm FL, NIR II Coated, Achromatic Lens		
FOR INFORMATION ONLY: DO NOT MANUFACTURE PARTS TO THIS DRAWING			ALL DIMS IN:	mm	DWG NO	
INDICATIONS IN ACCORDANCE WITH ISO 10110				47318	SHEET SIZE A4	SHEET 2 OF 3



- 1 AR COATING: NIR II  
 R(ABS) ≤ 1,5% FROM 750-800nm @ 0° AOI  
 R(ABS) ≤ 1,0% FROM 800-1550nm @ 0° AOI  
 R(AVG) ≤ 0,7% FROM 750-1550nm @ 0° AOI

LEFT SURFACE	MATERIAL	RIGHT SURFACE
R 86,842±0,087 CV Øe 49 3/ 3 (0,5) λ=632,8 nm 4/ - 5/ 40 - 20 (MIL-PRF-13830B) 6/ -	GLASS N-SF6 805/254	R 894,7±0,895 CX Øe 49 3/ 3 (0,5) λ=632,8 nm 4/ - 5/ 40 - 20 (MIL-PRF-13830B) 6/ -

PROTECTIVE CHAMFERS AS NEEDED

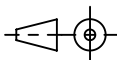
ROHS: COMPLIANT  
 SCALE: NONE λ = 880nm

SPECIFICATIONS SUBJECT TO CHANGE WITHOUT NOTICE. DIMENSIONS ARE FOR REFERENCE ONLY

FOR INFORMATION ONLY: DO NOT MANUFACTURE PARTS TO THIS DRAWING

INDICATIONS IN ACCORDANCE WITH ISO 10110

FIRST ANGLE PROJECTION



ALL DIMS IN: mm

**EO**® Edmund Optics®

TITLE 50mm Dia, x 150mm FL, NIR II Coated, Achromatic Lens

DWG NO 47318

SHEET SIZE A4 SHEET 3 OF 3