
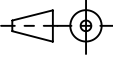
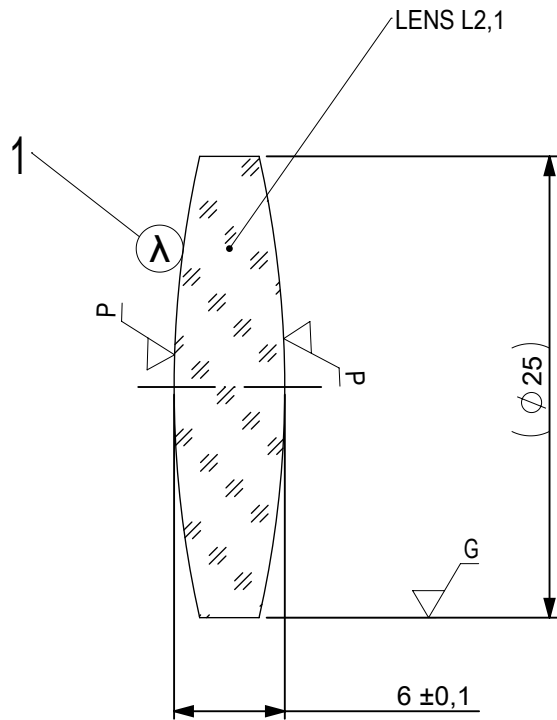


FOCAL LENGTH (EFL): 100 ±1  
 BACK FOCAL LENGTH (BFL): 93,89


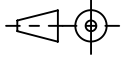
SURFACE A	SURFACE B	SURFACE C
Øe 24	Øe 24	Øe 24
CEMENT: NOA 61 OR EQUIVALENT		

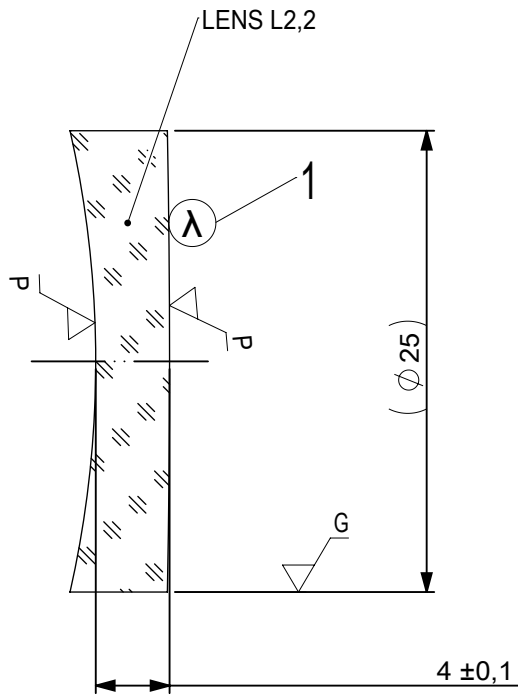
PROTECTIVE CHAMFERS AS NEEDED		FIRST ANGLE PROJECTION	 <b>Edmund Optics®</b>						
ROHS: COMPLIANT	SCALE: NONE $\lambda = 880\text{nm}$								
SPECIFICATIONS SUBJECT TO CHANGE WITHOUT NOTICE. DIMENSIONS ARE FOR REFERENCE ONLY			TITLE	25mm Dia, x 100mm FL, NIR II Coated, Achromatic Lens					
FOR INFORMATION ONLY: DO NOT MANUFACTURE PARTS TO THIS DRAWING			ALL DIMS IN:	mm	DWG NO	45806	SHEET SIZE	A4	SHEET
INDICATIONS IN ACCORDANCE WITH ISO 10110									



- 1 AR COATING: NIR II  
 R(ABS) ≤ 1,5% FROM 750-800nm @ 0° AOI  
 R(ABS) ≤ 1,0% FROM 800-1550nm @ 0° AOI  
 R(AVG) ≤ 0,7% FROM 750-1550nm @ 0° AOI


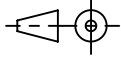
LEFT SURFACE	MATERIAL	RIGHT SURFACE
R 57,01±0,057 CX Øe 24 3/ 3 (0,5) λ=632,8 nm 4/ - 5/ 40 - 20 (MIL-PRF-13830B) 6/ -	GLASS N-LaK22 651/559	R 56,72±0,057 CX Øe 24 3/ 3 (0,5) λ=632,8 nm 4/ - 5/ 40 - 20 (MIL-PRF-13830B) 6/ -

PROTECTIVE CHAMFERS AS NEEDED		FIRST ANGLE PROJECTION	 <b>Edmund Optics®</b>			
ROHS: COMPLIANT	SCALE: NONE λ = 880nm					
SPECIFICATIONS SUBJECT TO CHANGE WITHOUT NOTICE. DIMENSIONS ARE FOR REFERENCE ONLY			TITLE	25mm Dia, x 100mm FL, NIR II Coated, Achromatic Lens		
FOR INFORMATION ONLY: DO NOT MANUFACTURE PARTS TO THIS DRAWING			ALL DIMS IN:	mm	DWG NO	
INDICATIONS IN ACCORDANCE WITH ISO 10110				45806	SHEET SIZE <b>A4</b>	SHEET 2 OF 3



- 1 AR COATING: NIR II  
 R(ABS) ≤ 1,5% FROM 750-800nm @ 0° AOI  
 R(ABS) ≤ 1,0% FROM 800-1550nm @ 0° AOI  
 R(AVG) ≤ 0,7% FROM 750-1550nm @ 0° AOI

LEFT SURFACE	MATERIAL	RIGHT SURFACE
R 56,72±0,057 CV	GLASS N-SF6 805/254	R 656,51±0,657 CX
Øe 24		Øe 24
3/ 3 (0,5) λ=632,8 nm		3/ 3 (0,5) λ=632,8 nm
4/ -		4/ -
5/ 40 - 20 (MIL-PRF-13830B)		5/ 40 - 20 (MIL-PRF-13830B)
6/ -		6/ -

PROTECTIVE CHAMFERS AS NEEDED		FIRST ANGLE PROJECTION	 <b>Edmund Optics®</b>			
ROHS: COMPLIANT	SCALE: NONE λ = 880nm					
SPECIFICATIONS SUBJECT TO CHANGE WITHOUT NOTICE. DIMENSIONS ARE FOR REFERENCE ONLY			TITLE	25mm Dia, x 100mm FL, NIR II Coated, Achromatic Lens		
FOR INFORMATION ONLY: DO NOT MANUFACTURE PARTS TO THIS DRAWING			ALL DIMS IN:	mm	DWG NO	
INDICATIONS IN ACCORDANCE WITH ISO 10110				45806	SHEET SIZE <b>A4</b>	SHEET 3 OF 3