
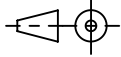
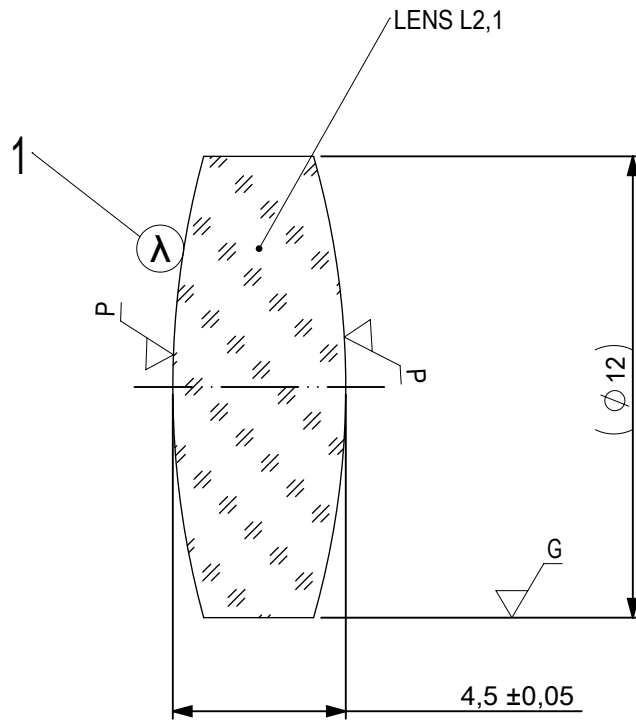


FOCAL LENGTH (EFL):  $40 \pm 0,4$   
 BACK FOCAL LENGTH (BFL): 35,67


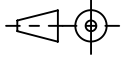
SURFACE A	SURFACE B	SURFACE C
$\varnothing e 11$	$\varnothing e 11$	$\varnothing e 11$
CEMENT: NOA 61 OR EQUIVALENT		

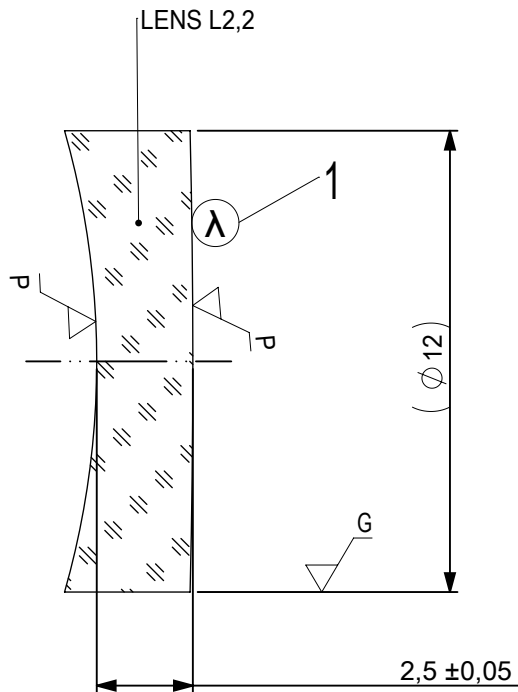
PROTECTIVE CHAMFERS AS NEEDED		FIRST ANGLE PROJECTION	 <b>Edmund Optics®</b>						
ROHS: COMPLIANT	SCALE: NONE $\lambda = 880\text{nm}$								
SPECIFICATIONS SUBJECT TO CHANGE WITHOUT NOTICE. DIMENSIONS ARE FOR REFERENCE ONLY			TITLE	12mm Dia, x 40mm FL, NIR II Coated, Achromatic Lens					
FOR INFORMATION ONLY: DO NOT MANUFACTURE PARTS TO THIS DRAWING			ALL DIMS IN:	mm	DWG NO	45796	SHEET SIZE	A4	SHEET
INDICATIONS IN ACCORDANCE WITH ISO 10110									



- 1 AR COATING: NIR II  
 R(ABS) ≤ 1,5% FROM 750-800nm @ 0° AOI  
 R(ABS) ≤ 1,0% FROM 800-1550nm @ 0° AOI  
 R(AVG) ≤ 0,7% FROM 750-1550nm @ 0° AOI


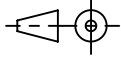
LEFT SURFACE	MATERIAL	RIGHT SURFACE
R 22,81±0,023 CX	GLASS N-LaK22 651/559	R 21,91±0,022 CX
Øe 11		Øe 11
3/ 3 (0,5) λ=632,8 nm		3/ 3 (0,5) λ=632,8 nm
4/ -		4/ -
5/ 40 - 20 (MIL-PRF-13830B)		5/ 40 - 20 (MIL-PRF-13830B)
6/ -		6/ -

PROTECTIVE CHAMFERS AS NEEDED		FIRST ANGLE PROJECTION	 <b>Edmund Optics®</b>	
ROHS: COMPLIANT	SCALE: NONE λ = 880nm			
SPECIFICATIONS SUBJECT TO CHANGE WITHOUT NOTICE. DIMENSIONS ARE FOR REFERENCE ONLY			TITLE	12mm Dia, x 40mm FL, NIR II Coated, Achromatic Lens
FOR INFORMATION ONLY: DO NOT MANUFACTURE PARTS TO THIS DRAWING			ALL DIMS IN: mm	DWG NO
INDICATIONS IN ACCORDANCE WITH ISO 10110			SHEET SIZE	A4
				SHEET 2 OF 3



- 1 AR COATING: NIR II  
 R(ABS) ≤ 1,5% FROM 750-800nm @ 0° AOI  
 R(ABS) ≤ 1,0% FROM 800-1550nm @ 0° AOI  
 R(AVG) ≤ 0,7% FROM 750-1550nm @ 0° AOI

LEFT SURFACE	MATERIAL	RIGHT SURFACE
R 21,91±0,022 CV	GLASS N-SF6 805/254	R 250,49±0,25 CX
Øe 11		Øe 11
3/ 3 (0,5) λ=632,8 nm		3/ 3 (0,5) λ=632,8 nm
4/ -		4/ -
5/ 40 - 20 (MIL-PRF-13830B)		5/ 40 - 20 (MIL-PRF-13830B)
6/ -		6/ -

PROTECTIVE CHAMFERS AS NEEDED		FIRST ANGLE PROJECTION			
ROHS: COMPLIANT	SCALE: NONE λ = 880nm				
SPECIFICATIONS SUBJECT TO CHANGE WITHOUT NOTICE. DIMENSIONS ARE FOR REFERENCE ONLY			TITLE	12mm Dia, x 40mm FL, NIR II Coated, Achromatic Lens	
FOR INFORMATION ONLY: DO NOT MANUFACTURE PARTS TO THIS DRAWING			ALL DIMS IN: mm	DWG NO	45796
INDICATIONS IN ACCORDANCE WITH ISO 10110			SHEET SIZE	A4	SHEET 3 OF 3