
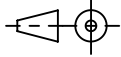
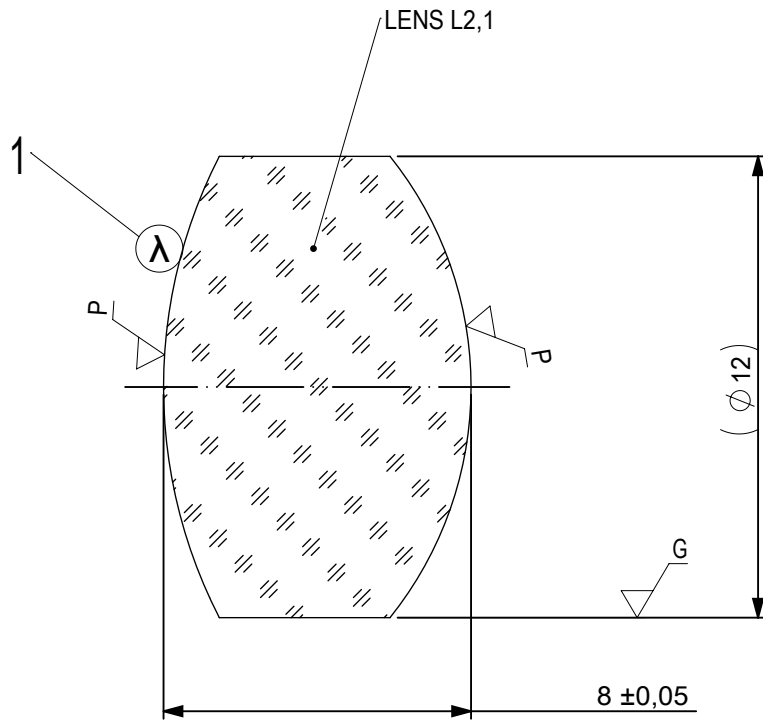


FOCAL LENGTH (EFL): $20 \pm 0,2$
 BACK FOCAL LENGTH (BFL): $14,18$


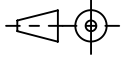
SURFACE A	SURFACE B	SURFACE C
$\varnothing e 11$	$\varnothing e 11$	$\varnothing e 11$
CEMENT: NOA 61 OR EQUIVALENT		

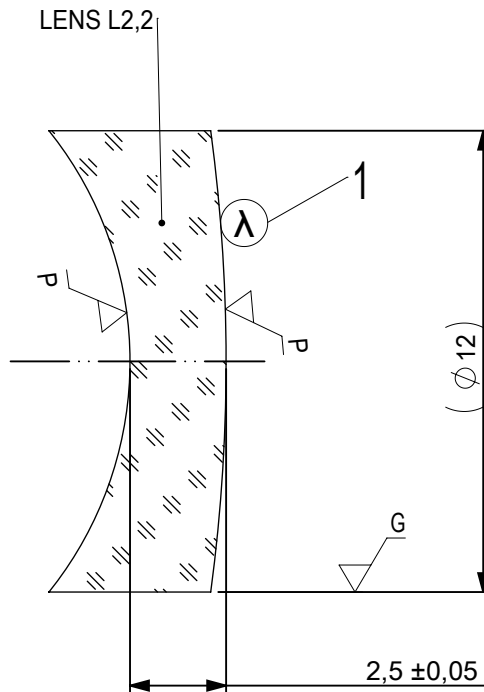
PROTECTIVE CHAMFERS AS NEEDED		FIRST ANGLE PROJECTION			
ROHS: COMPLIANT	SCALE: NONE $\lambda = 880\text{nm}$				
SPECIFICATIONS SUBJECT TO CHANGE WITHOUT NOTICE. DIMENSIONS ARE FOR REFERENCE ONLY			TITLE	12mm Dia, x 20mm FL, NIR II Coated, Achromatic Lens	
FOR INFORMATION ONLY: DO NOT MANUFACTURE PARTS TO THIS DRAWING			ALL DIMS IN: mm	DWG NO	45792
INDICATIONS IN ACCORDANCE WITH ISO 10110					SHEET 1 OF 3



- 1 AR COATING: NIR II
 R(ABS) \leq 1,5% FROM 750-800nm @ 0° AOI
 R(ABS) \leq 1,0% FROM 800-1550nm @ 0° AOI
 R(AVG) \leq 0,7% FROM 750-1550nm @ 0° AOI

LEFT SURFACE	MATERIAL	RIGHT SURFACE
R 13,13 \pm 0,013 CX \varnothing_e 11 3/ 3 (0,5) $\lambda=632,8$ nm 4/ - 5/ 40 - 20 (MIL-PRF-13830B) 6/ -	GLASS N-LaK22 651/559	R 9,59 \pm 0,01 CX \varnothing_e 11 3/ 3 (0,5) $\lambda=632,8$ nm 4/ - 5/ 40 - 20 (MIL-PRF-13830B) 6/ -

PROTECTIVE CHAMFERS AS NEEDED		FIRST ANGLE PROJECTION	 Edmund Optics®	
ROHS: COMPLIANT	SCALE: NONE $\lambda = 880\text{nm}$			
SPECIFICATIONS SUBJECT TO CHANGE WITHOUT NOTICE. DIMENSIONS ARE FOR REFERENCE ONLY			TITLE	12mm Dia, x 20mm FL, NIR II Coated, Achromatic Lens
FOR INFORMATION ONLY: DO NOT MANUFACTURE PARTS TO THIS DRAWING			ALL DIMS IN: mm	DWG NO
INDICATIONS IN ACCORDANCE WITH ISO 10110			SHEET SIZE	A4
			SHEET	2 OF 3



- 1 AR COATING: NIR II
 R(ABS) ≤ 1,5% FROM 750-800nm @ 0° AOI
 R(ABS) ≤ 1,0% FROM 800-1550nm @ 0° AOI
 R(AVG) ≤ 0,7% FROM 750-1550nm @ 0° AOI

LEFT SURFACE	MATERIAL	RIGHT SURFACE
R 9,59±0,01 CV Øe 11 3/ 3 (0,5) λ=632,8 nm 4/ - 5/ 40 - 20 (MIL-PRF-13830B) 6/ -	GLASS N-SF6 805/254	R 45,11±0,045 CX Øe 11 3/ 3 (0,5) λ=632,8 nm 4/ - 5/ 40 - 20 (MIL-PRF-13830B) 6/ -

PROTECTIVE CHAMFERS AS NEEDED		FIRST ANGLE PROJECTION	Edmund Optics®				
ROHS: COMPLIANT	SCALE: NONE λ = 880nm						
SPECIFICATIONS SUBJECT TO CHANGE WITHOUT NOTICE. DIMENSIONS ARE FOR REFERENCE ONLY			TITLE	12mm Dia, x 20mm FL, NIR II Coated, Achromatic Lens			
FOR INFORMATION ONLY: DO NOT MANUFACTURE PARTS TO THIS DRAWING			ALL DIMS IN:	mm	DWG NO	45792	
INDICATIONS IN ACCORDANCE WITH ISO 10110				SHEET SIZE	A4	SHEET	3 OF 3