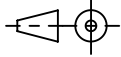

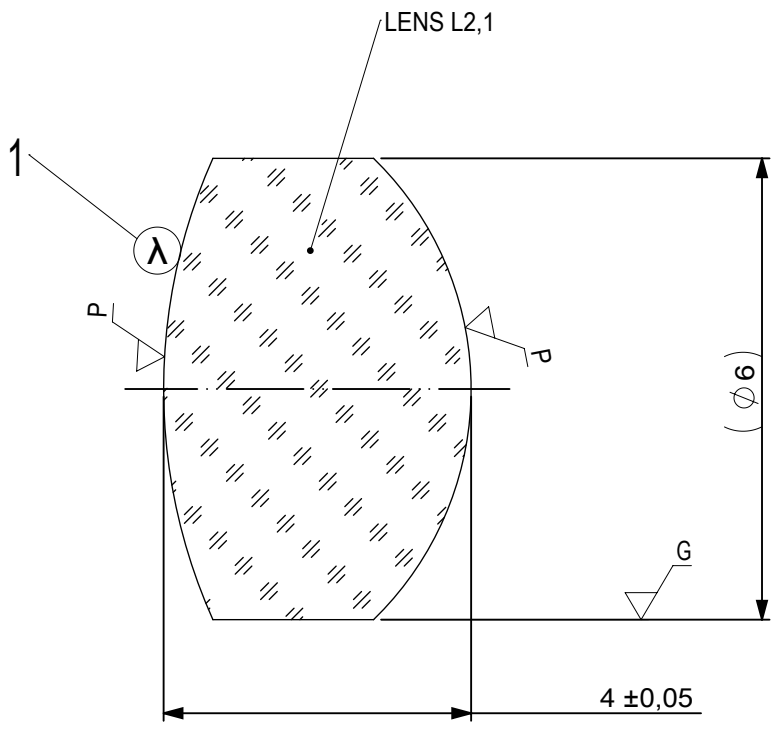


FOCAL LENGTH (EFL):  $9 \pm 0,09$   
 BACK FOCAL LENGTH (BFL): 6,66

SURFACE A	SURFACE B	SURFACE C
$\phi_e 5,4$	$\phi_e 5,4$	$\phi_e 5,4$
CEMENT: NOA 61 OR EQUIVALENT		

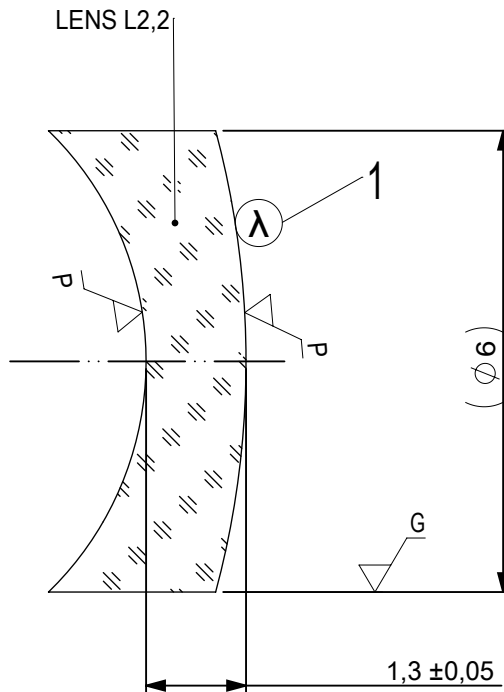
PROTECTIVE CHAMFERS AS NEEDED		FIRST ANGLE PROJECTION		 <b>Edmund Optics<sup>®</sup></b>
ROHS: COMPLIANT	SCALE: NONE $\lambda = 880\text{nm}$			
SPECIFICATIONS SUBJECT TO CHANGE WITHOUT NOTICE. DIMENSIONS ARE FOR REFERENCE ONLY		TITLE: 6mm Dia, x 9mm FL, NIR II Coated, Achromatic Lens		
FOR INFORMATION ONLY: DO NOT MANUFACTURE PARTS TO THIS DRAWING		ALL DIMS IN: mm	DWG NO: 45783	SHEET SIZE: A4
INDICATIONS IN ACCORDANCE WITH ISO 10110				SHEET 1 OF 3



1 AR COATING: NIR II  
 R(ABS) ≤ 1,5% FROM 750-800nm @ 0° AOI  
 R(ABS) ≤ 1,0% FROM 800-1550nm @ 0° AOI  
 R(AVG) ≤ 0,7% FROM 750-1550nm @ 0° AOI


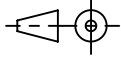
LEFT SURFACE	MATERIAL	RIGHT SURFACE
R 7,34±0,007 CX Øe 5,4 3/ 3 (0,5) λ=632,8 nm 4/ - 5/ 40 - 20 (MIL-PRF-13830B) 6/ -	GLASS N-LaK22 651/559	R 4,18±0,004 CX Øe 5,4 3/ 3 (0,5) λ=632,8 nm 4/ - 5/ 40 - 20 (MIL-PRF-13830B) 6/ -

PROTECTIVE CHAMFERS AS NEEDED		FIRST ANGLE PROJECTION	<b>Edmund Optics®</b>		
ROHS: COMPLIANT	SCALE: NONE λ = 880nm				
SPECIFICATIONS SUBJECT TO CHANGE WITHOUT NOTICE. DIMENSIONS ARE FOR REFERENCE ONLY			TITLE	6mm Dia, x 9mm FL, NIR II Coated, Achromatic Lens	
FOR INFORMATION ONLY: DO NOT MANUFACTURE PARTS TO THIS DRAWING			ALL DIMS IN:	DWG NO	45783
INDICATIONS IN ACCORDANCE WITH ISO 10110		mm			SHEET 2 OF 3



- 1 AR COATING: NIR II  
 R(ABS) ≤ 1,5% FROM 750-800nm @ 0° AOI  
 R(ABS) ≤ 1,0% FROM 800-1550nm @ 0° AOI  
 R(AVG) ≤ 0,7% FROM 750-1550nm @ 0° AOI

LEFT SURFACE	MATERIAL	RIGHT SURFACE
R 4,18±0,004 CV	GLASS N-SF6 805/254	R 11,58±0,012 CX
Øe 5,4		Øe 5,4
3/ 3 (0,5) λ=632,8 nm		3/ 3 (0,5) λ=632,8 nm
4/ -		4/ -
5/ 40 - 20 (MIL-PRF-13830B)		5/ 40 - 20 (MIL-PRF-13830B)
6/ -		6/ -

PROTECTIVE CHAMFERS AS NEEDED		FIRST ANGLE PROJECTION	 <b>Edmund Optics®</b>	
ROHS: COMPLIANT	SCALE: NONE λ = 880nm			
SPECIFICATIONS SUBJECT TO CHANGE WITHOUT NOTICE. DIMENSIONS ARE FOR REFERENCE ONLY			TITLE 6mm Dia, x 9mm FL, NIR II Coated, Achromatic Lens	
FOR INFORMATION ONLY: DO NOT MANUFACTURE PARTS TO THIS DRAWING			ALL DIMS IN: mm	DWG NO 45783
INDICATIONS IN ACCORDANCE WITH ISO 10110				SHEET 3 OF 3