
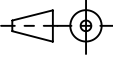
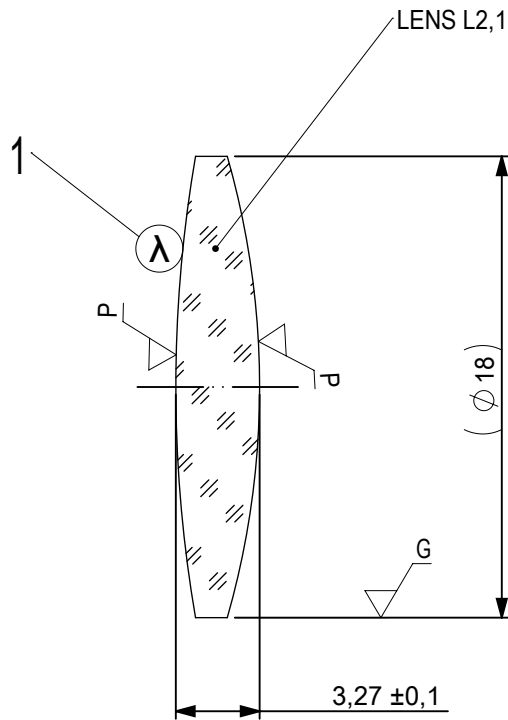


FOCAL LENGTH (EFL): 75 ±0,75
 BACK FOCAL LENGTH (BFL): 72,15

SURFACE A	SURFACE B	SURFACE C
Øe 17	Øe 17	Øe 17
CEMENT: NOA 61 OR EQUIVALENT		

PROTECTIVE CHAMFERS AS NEEDED		FIRST ANGLE PROJECTION	 Edmund Optics®						
ROHS: COMPLIANT	SCALE: NONE $\lambda = 587,6\text{nm}$								
SPECIFICATIONS SUBJECT TO CHANGE WITHOUT NOTICE. DIMENSIONS ARE FOR REFERENCE ONLY			TITLE	18mm Dia, x 75mm FL, MgF2 Coated, Achromatic Doublet Lens					
FOR INFORMATION ONLY: DO NOT MANUFACTURE PARTS TO THIS DRAWING			ALL DIMS IN:	mm	DWG NO	45350	SHEET SIZE	A4	SHEET
INDICATIONS IN ACCORDANCE WITH ISO 10110									



1 AR COATING:

1/4 WAVE MgF2 @ 550nm
R(AVG) < 1,75% FROM 400-700nm (N-BK7)

LEFT SURFACE	MATERIAL	RIGHT SURFACE
R 53,03±0,053 CX Øe 17 3/ 3 (0,5) λ=632,8 nm 4/ - 5/ 40 - 20 (MIL-PRF-13830B) 6/ -	GLASS N-BaF10 670/472	R 32,72±0,033 CX Øe 17 3/ 3 (0,5) λ=632,8 nm 4/ - 5/ 40 - 20 (MIL-PRF-13830B) 6/ -

PROTECTIVE CHAMFERS AS NEEDED

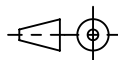
ROHS: COMPLIANT
SCALE: NONE λ = 587,6nm

SPECIFICATIONS SUBJECT TO CHANGE WITHOUT NOTICE. DIMENSIONS ARE FOR REFERENCE ONLY

FOR INFORMATION ONLY: DO NOT MANUFACTURE PARTS TO THIS DRAWING

INDICATIONS IN ACCORDANCE WITH ISO 10110

FIRST ANGLE PROJECTION



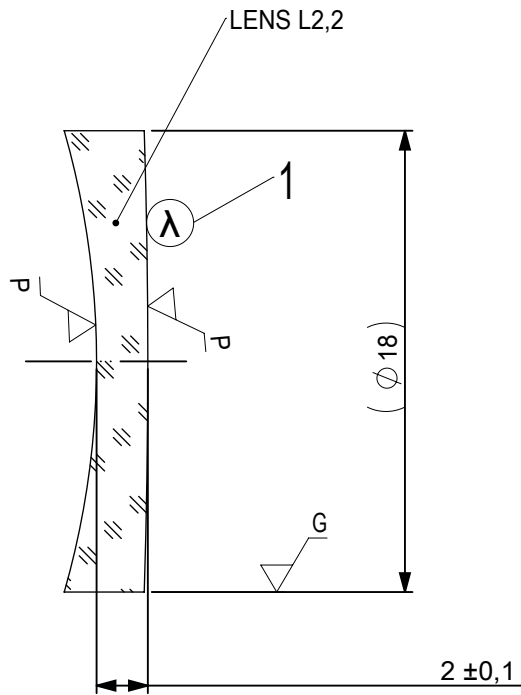
ALL DIMS IN: mm

EO® Edmund Optics®

TITLE 18mm Dia, x 75mm FL, MgF2 Coated, Achromatic Doublet Lens

DWG NO 45350

SHEET SIZE A4 SHEET 2 OF 3



1 AR COATING:

¼ WAVE MgF2 @ 550nm
 R(AVG) < 1,75% FROM 400-700nm (N-BK7)

LEFT SURFACE	MATERIAL	RIGHT SURFACE
R 32,72±0,033 CV Øe 17 3/ 3 (0,5) λ=632,8 nm 4/ - 5/ 40 - 20 (MIL-PRF-13830B) 6/ -	GLASS N-SF10 728/284	R 288,05±0,288 CX Øe 17 3/ 3 (0,5) λ=632,8 nm 4/ - 5/ 40 - 20 (MIL-PRF-13830B) 6/ -

PROTECTIVE CHAMFERS AS NEEDED		FIRST ANGLE PROJECTION	Edmund Optics®	
ROHS: COMPLIANT	SCALE: NONE λ = 587,6nm			
SPECIFICATIONS SUBJECT TO CHANGE WITHOUT NOTICE. DIMENSIONS ARE FOR REFERENCE ONLY			TITLE	18mm Dia, x 75mm FL, MgF2 Coated, Achromatic Doublet Lens
FOR INFORMATION ONLY: DO NOT MANUFACTURE PARTS TO THIS DRAWING			ALL DIMS IN: mm	DWG NO
INDICATIONS IN ACCORDANCE WITH ISO 10110			SHEET SIZE	A4
			SHEET	3 OF 3