
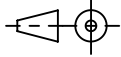
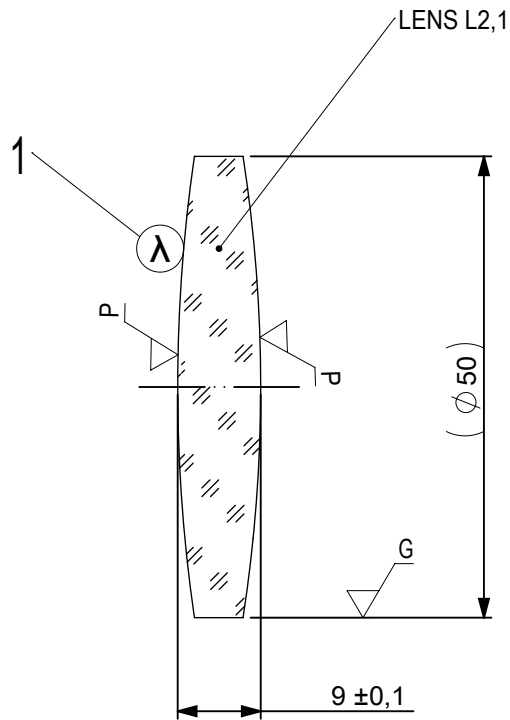


FOCAL LENGTH (EFL): 300 ±3
 BACK FOCAL LENGTH (BFL): 292,91

| SURFACE A | SURFACE B | SURFACE C |
|------------------------------|-----------|-----------|
| Øe 49 | Øe 49 | Øe 49 |
| CEMENT: NOA 61 OR EQUIVALENT | | |


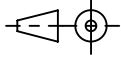
| | | | | | | | |
|--|--|---|---|--|--------|-------|--------|
| PROTECTIVE CHAMFERS AS NEEDED | | FIRST ANGLE PROJECTION |  Edmund Optics® | | | | |
| ROHS: COMPLIANT | SCALE: NONE $\lambda = 587,6\text{nm}$ | | | | | | |
| SPECIFICATIONS SUBJECT TO CHANGE WITHOUT NOTICE. DIMENSIONS ARE FOR REFERENCE ONLY | |  | TITLE | 50mm Dia, x 300mm FL, MgF2 Coated, Achromatic Doublet Lens | | | |
| FOR INFORMATION ONLY: DO NOT MANUFACTURE PARTS TO THIS DRAWING | | | ALL DIMS IN: | mm | DWG NO | 45181 | |
| INDICATIONS IN ACCORDANCE WITH ISO 10110 | | | | SHEET SIZE | A4 | SHEET | 1 OF 3 |

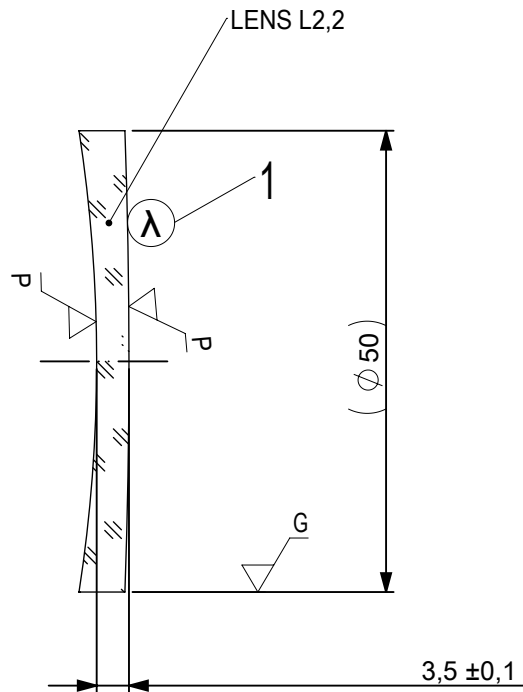


1 AR COATING:

¼ WAVE MgF2 @ 550nm
 R(AVG) < 1,75% FROM 400-700nm (N-BK7)

| LEFT SURFACE | MATERIAL | RIGHT SURFACE |
|-----------------------------|----------------------|-----------------------------|
| R 173,11±0,173 CX | GLASS N-BaK4 569/561 | R 164,03±0,164 CX |
| Øe 49 | | Øe 49 |
| 3/ 3 (0,5) λ=632,8 nm | | 3/ 3 (0,5) λ=632,8 nm |
| 4/ - | | 4/ - |
| 5/ 40 - 20 (MIL-PRF-13830B) | | 5/ 40 - 20 (MIL-PRF-13830B) |
| 6/ - | | 6/ - |

| | | | | | | |
|--|-------------------------|---|---|--|-------------------------|-----------------|
| PROTECTIVE CHAMFERS AS NEEDED | | FIRST ANGLE PROJECTION |  Edmund Optics® | | | |
| ROHS: COMPLIANT | SCALE: NONE λ = 587,6nm | | | | | |
| SPECIFICATIONS SUBJECT TO CHANGE WITHOUT NOTICE. DIMENSIONS ARE FOR REFERENCE ONLY | |  | TITLE | 50mm Dia, x 300mm FL, MgF2 Coated, Achromatic Doublet Lens | | |
| FOR INFORMATION ONLY: DO NOT MANUFACTURE PARTS TO THIS DRAWING | | | ALL DIMS IN: | mm | DWG NO | |
| INDICATIONS IN ACCORDANCE WITH ISO 10110 | | | | 45181 | SHEET SIZE A4 | SHEET 2 OF 3 |



1 AR COATING:

¼ WAVE MgF2 @ 550nm
 R(AVG) < 1,75% FROM 400-700nm (N-BK7)

| LEFT SURFACE | MATERIAL | RIGHT SURFACE |
|-----------------------------|----------------------|-----------------------------|
| R 164,03±0,164 CV | GLASS N-SF10 728/284 | R 709,83±0,71 CX |
| Øe 49 | | Øe 49 |
| 3/ 3 (0,5) λ=632,8 nm | | 3/ 3 (0,5) λ=632,8 nm |
| 4/ - | | 4/ - |
| 5/ 40 - 20 (MIL-PRF-13830B) | | 5/ 40 - 20 (MIL-PRF-13830B) |
| 6/ - | | 6/ - |

PROTECTIVE CHAMFERS AS NEEDED

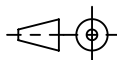
ROHS: COMPLIANT SCALE: NONE λ = 587,6nm

SPECIFICATIONS SUBJECT TO CHANGE WITHOUT NOTICE. DIMENSIONS ARE FOR REFERENCE ONLY

FOR INFORMATION ONLY: DO NOT MANUFACTURE PARTS TO THIS DRAWING

INDICATIONS IN ACCORDANCE WITH ISO 10110

FIRST ANGLE PROJECTION



ALL DIMS IN: mm

EO® Edmund Optics®

TITLE 50mm Dia, x 300mm FL, MgF2 Coated, Achromatic Doublet Lens

DWG NO 45181

SHEET SIZE A4 SHEET 3 OF 3