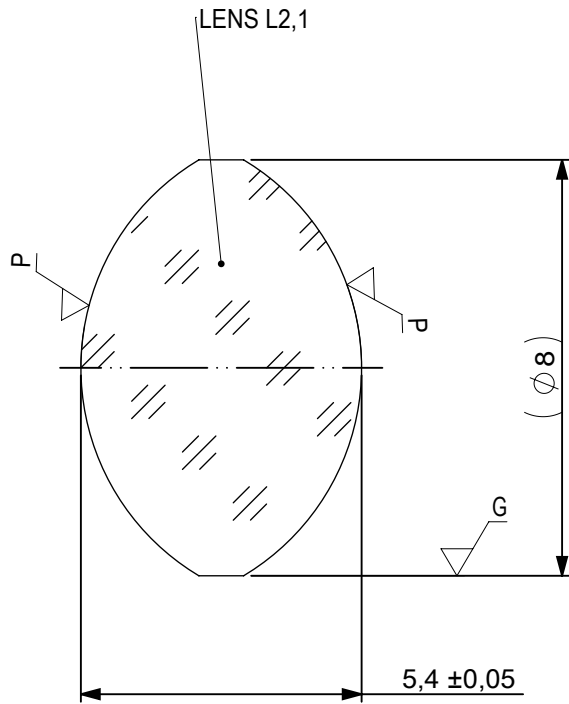



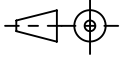
FOCAL LENGTH (EFL): 12,5 ± 0,13
 BACK FOCAL LENGTH (BFL): 9,9

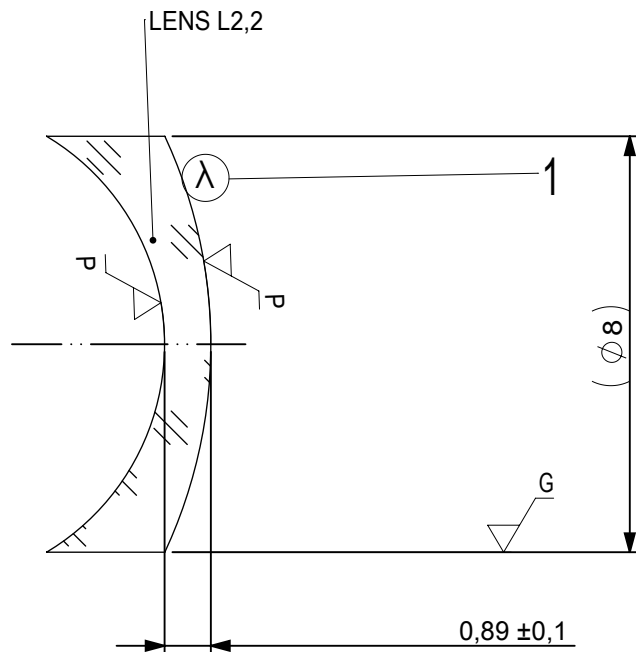
SURFACE A		SURFACE B		SURFACE C		SURFACE D	
Øe	7,2	Øe	7,2	Øe	7,2	Øe	7,2
		CEMENT: NOA 61 OR EQUIVALENT				CEMENT: NOA 61 OR EQUIVALENT	

PROTECTIVE CHAMFERS AS NEEDED		FIRST ANGLE PROJECTION 	Edmund Optics®	
ROHS: COMPLIANT	SCALE: NONE λ = 587,6nm			
SPECIFICATIONS SUBJECT TO CHANGE WITHOUT NOTICE. DIMENSIONS ARE FOR REFERENCE ONLY		ALL DIMS IN: mm	TITLE 8mm Dia x 12,5mm EFL Hastings Triplet Achromatic Lens	
FOR INFORMATION ONLY: DO NOT MANUFACTURE PARTS TO THIS DRAWING			DWG NO 36187	SHEET SIZE A4
INDICATIONS IN ACCORDANCE WITH ISO 10110				



LEFT SURFACE	MATERIAL	RIGHT SURFACE
R 4,66±0,005 CX Øe 7,2 3/ 3 (0,5) λ=632,8 nm 4/ - 5/ 40 - 20 (MIL-PRF-13830B) 6/ -	GLASS N-F2 620/364	R 4,66±0,005 CX Øe 7,2 3/ 3 (0,5) λ=632,8 nm 4/ - 5/ 40 - 20 (MIL-PRF-13830B) 6/ -

PROTECTIVE CHAMFERS AS NEEDED		FIRST ANGLE PROJECTION	 Edmund Optics®		
ROHS: COMPLIANT	SCALE: NONE λ = 587,6nm				
SPECIFICATIONS SUBJECT TO CHANGE WITHOUT NOTICE. DIMENSIONS ARE FOR REFERENCE ONLY			TITLE	8mm Dia x 12,5mm EFL Hastings Triplet Achromatic Lens	
FOR INFORMATION ONLY: DO NOT MANUFACTURE PARTS TO THIS DRAWING			ALL DIMS IN:	DWG NO	SHEET SIZE
INDICATIONS IN ACCORDANCE WITH ISO 10110		mm	36187	A4	



1 AR COATING:

¼ WAVE MgF2 @ 550nm
 R(AVG) < 1,75% FROM 400-700nm (N-BK7)

LEFT SURFACE	MATERIAL	RIGHT SURFACE
R 9,48±0,009 CX Øe 7,2 3/ 3 (0,5) λ=632,8 nm 4/ - 5/ 40 - 20 (MIL-PRF-13830B) 6/ -	GLASS N-K5 523/595	R 4,66±0,005 CV Øe 7,2 3/ 3 (0,5) λ=632,8 nm 4/ - 5/ 40 - 20 (MIL-PRF-13830B) 6/ -

PROTECTIVE CHAMFERS AS NEEDED		FIRST ANGLE PROJECTION			
ROHS: COMPLIANT	SCALE: NONE λ = 587,6nm				
SPECIFICATIONS SUBJECT TO CHANGE WITHOUT NOTICE. DIMENSIONS ARE FOR REFERENCE ONLY			TITLE	8mm Dia x 12,5mm EFL Hastings Triplet Achromatic Lens	
FOR INFORMATION ONLY: DO NOT MANUFACTURE PARTS TO THIS DRAWING			ALL DIMS IN: mm	DWG NO	36187
INDICATIONS IN ACCORDANCE WITH ISO 10110					SHEET 3 OF 3