
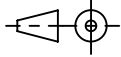
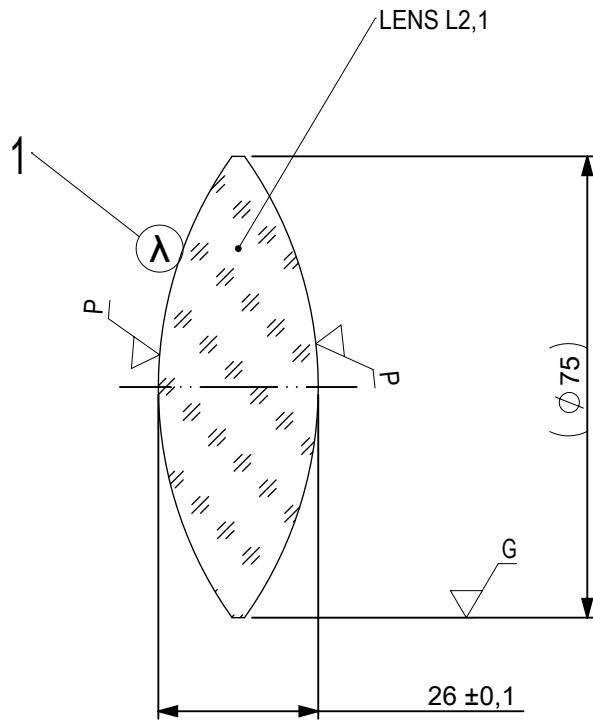


FOCAL LENGTH (EFL): 100 ±1  
 BACK FOCAL LENGTH (BFL): 78,32

1 BLACKENED SURFACE


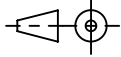
| SURFACE A                    | SURFACE B | SURFACE C |
|------------------------------|-----------|-----------|
| Øe 73                        | Øe 73     | Øe 73     |
| CEMENT: NOA 61 OR EQUIVALENT |           |           |

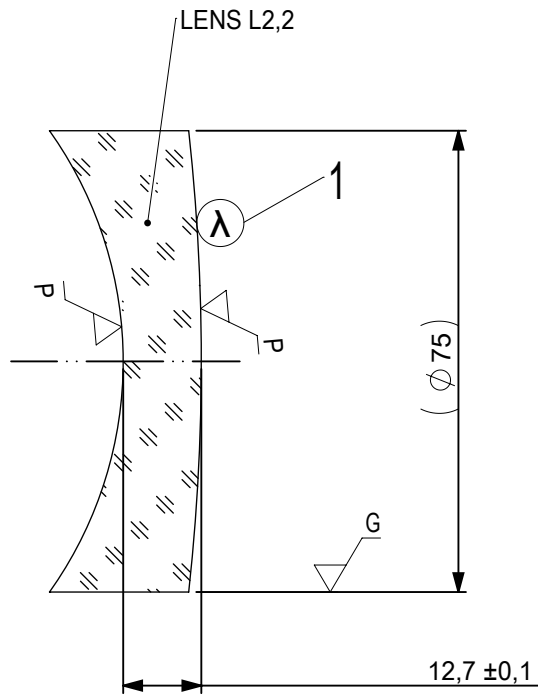
|                                                                                    |                                        |                                                                                     |                                                                                      |                                                              |              |
|------------------------------------------------------------------------------------|----------------------------------------|-------------------------------------------------------------------------------------|--------------------------------------------------------------------------------------|--------------------------------------------------------------|--------------|
| PROTECTIVE CHAMFERS AS NEEDED                                                      |                                        | FIRST ANGLE PROJECTION                                                              |  |                                                              |              |
| ROHS: COMPLIANT                                                                    | SCALE: NONE $\lambda = 587,6\text{nm}$ |                                                                                     |                                                                                      |                                                              |              |
| SPECIFICATIONS SUBJECT TO CHANGE WITHOUT NOTICE. DIMENSIONS ARE FOR REFERENCE ONLY |                                        |  | TITLE                                                                                | 75mm Dia, x 100mm FL, VIS-NIR Coated, Inked, Achromatic Lens |              |
| FOR INFORMATION ONLY: DO NOT MANUFACTURE PARTS TO THIS DRAWING                     |                                        |                                                                                     | ALL DIMS IN:                                                                         | mm                                                           | DWG NO       |
| INDICATIONS IN ACCORDANCE WITH ISO 10110                                           |                                        |                                                                                     |                                                                                      | SHEET SIZE                                                   | A4           |
|                                                                                    |                                        |                                                                                     |                                                                                      |                                                              | SHEET 1 OF 3 |



- 1 AR COATING: VIS-NIR  
 R(ABS) ≤ 0,25% AT 880nm @ 0° AOI  
 R(AVG) ≤ 1,25% FROM 400-870nm @ 0° AOI  
 R(AVG) ≤ 1,25% FROM 890-1000nm @ 0° AOI


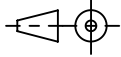
| LEFT SURFACE                                                                                      | MATERIAL              | RIGHT SURFACE                                                                                   |
|---------------------------------------------------------------------------------------------------|-----------------------|-------------------------------------------------------------------------------------------------|
| R 64,67±0,065 CX<br>Øe 73<br>3/ 3 (0,5) λ=632,8 nm<br>4/ -<br>5/ 40 - 20 (MIL-PRF-13830B)<br>6/ - | GLASS N-BaF10 670/472 | R 64,67±0,065 CX<br>Øe 73<br>3/ 8 (2) λ=632,8 nm<br>4/ -<br>5/ 40 - 20 (MIL-PRF-13830B)<br>6/ - |

|                                                                                    |                         |                                                                                     |                                                                                      |                                                              |              |
|------------------------------------------------------------------------------------|-------------------------|-------------------------------------------------------------------------------------|--------------------------------------------------------------------------------------|--------------------------------------------------------------|--------------|
| PROTECTIVE CHAMFERS AS NEEDED                                                      |                         | FIRST ANGLE PROJECTION                                                              |  |                                                              |              |
| ROHS: COMPLIANT                                                                    | SCALE: NONE λ = 587,6nm |                                                                                     |                                                                                      |                                                              |              |
| SPECIFICATIONS SUBJECT TO CHANGE WITHOUT NOTICE. DIMENSIONS ARE FOR REFERENCE ONLY |                         |  | TITLE                                                                                | 75mm Dia, x 100mm FL, VIS-NIR Coated, Inked, Achromatic Lens |              |
| FOR INFORMATION ONLY: DO NOT MANUFACTURE PARTS TO THIS DRAWING                     |                         |                                                                                     | ALL DIMS IN: mm                                                                      | DWG NO                                                       | 33924INK     |
| INDICATIONS IN ACCORDANCE WITH ISO 10110                                           |                         |                                                                                     |                                                                                      | SHEET SIZE A4                                                | SHEET 2 OF 3 |



- 1 AR COATING: VIS-NIR  
 R(ABS) ≤ 0,25% AT 880nm @ 0° AOI  
 R(AVG) ≤ 1,25% FROM 400-870nm @ 0° AOI  
 R(AVG) ≤ 1,25% FROM 890-1000nm @ 0° AOI

| LEFT SURFACE                                                                                    | MATERIAL             | RIGHT SURFACE                                                                                       |
|-------------------------------------------------------------------------------------------------|----------------------|-----------------------------------------------------------------------------------------------------|
| R 64,67±0,065 CV<br>Øe 73<br>3/ 8 (2) λ=632,8 nm<br>4/ -<br>5/ 40 - 20 (MIL-PRF-13830B)<br>6/ - | GLASS N-SF57 847/238 | R 343,586±0,344 CX<br>Øe 73<br>3/ 3 (0,5) λ=632,8 nm<br>4/ -<br>5/ 40 - 20 (MIL-PRF-13830B)<br>6/ - |

|                                                                                    |                         |                                                                                     |                                                                                                           |                                                              |               |              |
|------------------------------------------------------------------------------------|-------------------------|-------------------------------------------------------------------------------------|-----------------------------------------------------------------------------------------------------------|--------------------------------------------------------------|---------------|--------------|
| PROTECTIVE CHAMFERS AS NEEDED                                                      |                         | FIRST ANGLE PROJECTION                                                              |  <b>Edmund Optics®</b> |                                                              |               |              |
| ROHS: COMPLIANT                                                                    | SCALE: NONE λ = 587,6nm |                                                                                     |                                                                                                           |                                                              |               |              |
| SPECIFICATIONS SUBJECT TO CHANGE WITHOUT NOTICE. DIMENSIONS ARE FOR REFERENCE ONLY |                         |  | TITLE                                                                                                     | 75mm Dia, x 100mm FL, VIS-NIR Coated, Inked, Achromatic Lens |               |              |
| FOR INFORMATION ONLY: DO NOT MANUFACTURE PARTS TO THIS DRAWING                     |                         |                                                                                     | ALL DIMS IN:                                                                                              | mm                                                           | DWG NO        |              |
| INDICATIONS IN ACCORDANCE WITH ISO 10110                                           |                         |                                                                                     |                                                                                                           | 33924INK                                                     | SHEET SIZE A4 | SHEET 3 OF 3 |