
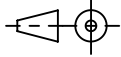
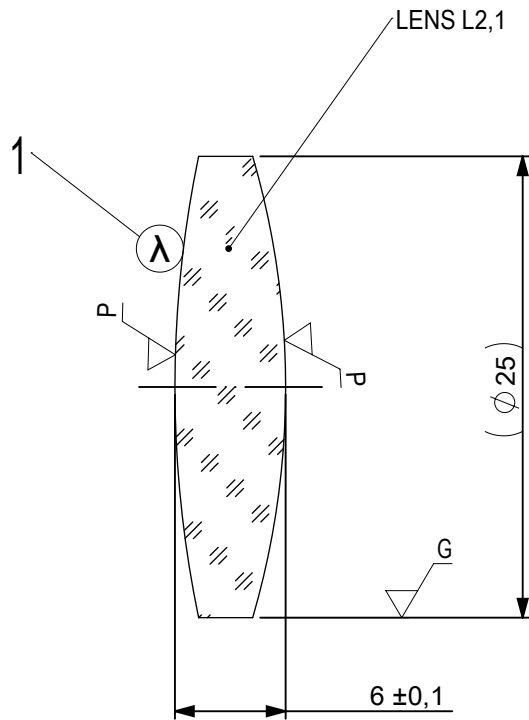


FOCAL LENGTH (EFL):  $100 \pm 1$   
 BACK FOCAL LENGTH (BFL):  $95,92$

SURFACE A	SURFACE B	SURFACE C
$\phi_e 24$	$\phi_e 24$	$\phi_e 24$
CEMENT: NOA 61 OR EQUIVALENT		

PROTECTIVE CHAMFERS AS NEEDED		FIRST ANGLE PROJECTION	 <b>Edmund Optics<sup>®</sup></b>			
ROHS: COMPLIANT	SCALE: NONE $\lambda = 587,6\text{nm}$					
SPECIFICATIONS SUBJECT TO CHANGE WITHOUT NOTICE. DIMENSIONS ARE FOR REFERENCE ONLY			TITLE	25mm Dia, x 100mm FL, YAG-BBAR Coated, Achromatic Lens		
FOR INFORMATION ONLY: DO NOT MANUFACTURE PARTS TO THIS DRAWING			ALL DIMS IN:	mm	DWG NO	
INDICATIONS IN ACCORDANCE WITH ISO 10110				33211	SHEET SIZE <b>A4</b>	SHEET 1 OF 3



- 1 AR COATING: YAG-BBAR  
 R(ABS) < 0,25% @ 532nm @ 0° AOI  
 R(ABS) < 0,25% @ 1064nm @ 0° AOI  
 R(AVG) < 1,0% FROM 500-1100nm @ 0° AOI

LEFT SURFACE	MATERIAL	RIGHT SURFACE
R 61,47±0,061 CX Øe 24 3/ 3 (0,5) λ=632,8 nm 4/ - 5/ 40 - 20 (MIL-PRF-13830B) 6/ -	GLASS N-BK7 517/642	R 44,64±0,045 CX Øe 24 3/ 3 (0,5) λ=632,8 nm 4/ - 5/ 40 - 20 (MIL-PRF-13830B) 6/ -

PROTECTIVE CHAMFERS AS NEEDED

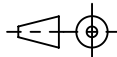
ROHS: COMPLIANT      SCALE: NONE      λ = 587,6nm

SPECIFICATIONS SUBJECT TO CHANGE WITHOUT NOTICE. DIMENSIONS ARE FOR REFERENCE ONLY

FOR INFORMATION ONLY: DO NOT MANUFACTURE PARTS TO THIS DRAWING

INDICATIONS IN ACCORDANCE WITH ISO 10110

FIRST ANGLE PROJECTION



ALL DIMS IN: mm



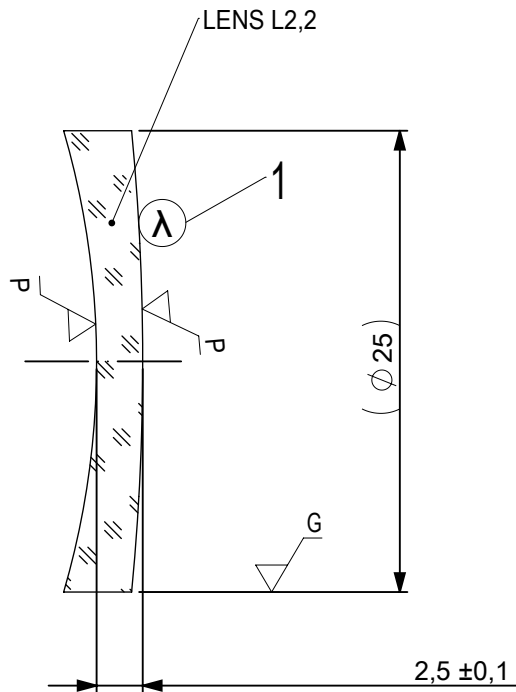
Edmund Optics®

TITLE 25mm Dia, x 100mm FL, YAG-BBAR Coated, Achromatic Lens

DWG NO 33211

SHEET SIZE A4

SHEET 2 OF 3



- 1 AR COATING: YAG-BBAR  
 R(ABS) < 0,25% @ 532nm @ 0° AOI  
 R(ABS) < 0,25% @ 1064nm @ 0° AOI  
 R(AVG) < 1,0% FROM 500-1100nm @ 0° AOI

LEFT SURFACE	MATERIAL	RIGHT SURFACE
R 44,64±0,045 CV	GLASS N-SF5 673/322	R 129,94±0,13 CX
Øe 24		Øe 24
3/ 3 (0,5) λ=632,8 nm		3/ 3 (0,5) λ=632,8 nm
4/ -		4/ -
5/ 40 - 20 (MIL-PRF-13830B)		5/ 40 - 20 (MIL-PRF-13830B)
6/ -		6/ -

PROTECTIVE CHAMFERS AS NEEDED

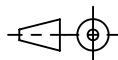
ROHS: COMPLIANT      SCALE: NONE      λ = 587,6nm

SPECIFICATIONS SUBJECT TO CHANGE WITHOUT NOTICE. DIMENSIONS ARE FOR REFERENCE ONLY

FOR INFORMATION ONLY: DO NOT MANUFACTURE PARTS TO THIS DRAWING

INDICATIONS IN ACCORDANCE WITH ISO 10110

FIRST ANGLE PROJECTION



ALL DIMS IN: mm

**EO**® Edmund Optics®

TITLE 25mm Dia, x 100mm FL, YAG-BBAR Coated, Achromatic Lens

DWG NO 33211

SHEET SIZE A4      SHEET 3 OF 3