
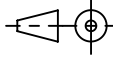
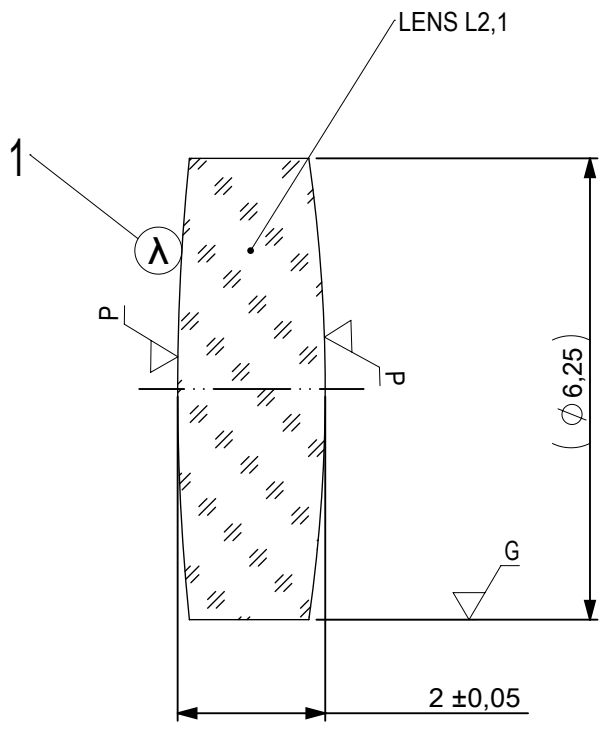


FOCAL LENGTH (EFL): 50 ±0,5
 BACK FOCAL LENGTH (BFL): 48,61

SURFACE A	SURFACE B	SURFACE C
Øe 5,625	Øe 5,625	Øe 5,625
CEMENT: NOA 61 OR EQUIVALENT		

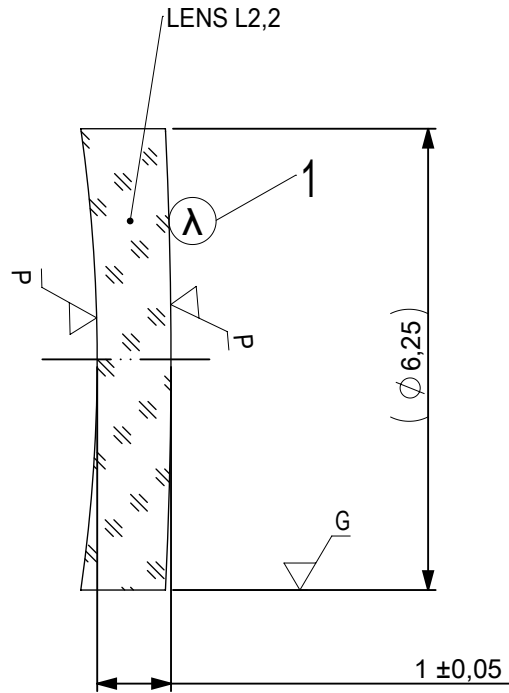
PROTECTIVE CHAMFERS AS NEEDED		FIRST ANGLE PROJECTION	 Edmund Optics®			
ROHS: COMPLIANT	SCALE: NONE $\lambda = 587,6\text{nm}$					
SPECIFICATIONS SUBJECT TO CHANGE WITHOUT NOTICE. DIMENSIONS ARE FOR REFERENCE ONLY			TITLE	6,25mm Dia, x 50mm FL, YAG-BBAR Coated, Achromatic Lens		
FOR INFORMATION ONLY: DO NOT MANUFACTURE PARTS TO THIS DRAWING			ALL DIMS IN:	mm	DWG NO	
INDICATIONS IN ACCORDANCE WITH ISO 10110				33204	SHEET SIZE A4	SHEET 1 OF 3



1 AR COATING: YAG-BBAR
 R(ABS) < 0,25% @ 532nm @ 0° AOI
 R(ABS) < 0,25% @ 1064nm @ 0° AOI
 R(AVG) < 1,0% FROM 500-1100nm @ 0° AOI

LEFT SURFACE	MATERIAL	RIGHT SURFACE
R 30,77±0,031 CX Øe 5,625 3/ 3 (0,5) λ=632,8 nm 4/ - 5/ 40 - 20 (MIL-PRF-13830B) 6/ -	GLASS N-BK7 517/642	R 22,05±0,022 CX Øe 5,625 3/ 3 (0,5) λ=632,8 nm 4/ - 5/ 40 - 20 (MIL-PRF-13830B) 6/ -

PROTECTIVE CHAMFERS AS NEEDED		FIRST ANGLE PROJECTION	Edmund Optics®			
ROHS: COMPLIANT	SCALE: NONE λ = 587,6nm					
SPECIFICATIONS SUBJECT TO CHANGE WITHOUT NOTICE. DIMENSIONS ARE FOR REFERENCE ONLY			TITLE	6,25mm Dia, x 50mm FL, YAG-BBAR Coated, Achromatic Lens		
FOR INFORMATION ONLY: DO NOT MANUFACTURE PARTS TO THIS DRAWING			ALL DIMS IN:	mm	DWG NO	
INDICATIONS IN ACCORDANCE WITH ISO 10110				33204	SHEET SIZE A4	SHEET 2 OF 3



- 1 AR COATING: YAG-BBAR
 R(ABS) < 0,25% @ 532nm @ 0° AOI
 R(ABS) < 0,25% @ 1064nm @ 0° AOI
 R(AVG) < 1,0% FROM 500-1100nm @ 0° AOI

LEFT SURFACE	MATERIAL	RIGHT SURFACE
R 22,05±0,022 CV Øe 5,625 3/ 3 (0,5) λ=632,8 nm 4/ - 5/ 40 - 20 (MIL-PRF-13830B) 6/ -	GLASS N-SF5 673/322	R 64,6±0,065 CX Øe 5,625 3/ 3 (0,5) λ=632,8 nm 4/ - 5/ 40 - 20 (MIL-PRF-13830B) 6/ -

PROTECTIVE CHAMFERS AS NEEDED		FIRST ANGLE PROJECTION	Edmund Optics®	
ROHS: COMPLIANT	SCALE: NONE λ = 587,6nm			
SPECIFICATIONS SUBJECT TO CHANGE WITHOUT NOTICE. DIMENSIONS ARE FOR REFERENCE ONLY			TITLE	6,25mm Dia, x 50mm FL, YAG-BBAR Coated, Achromatic Lens
FOR INFORMATION ONLY: DO NOT MANUFACTURE PARTS TO THIS DRAWING			ALL DIMS IN: mm	DWG NO
INDICATIONS IN ACCORDANCE WITH ISO 10110			SHEET SIZE	A4
			SHEET	3 OF 3