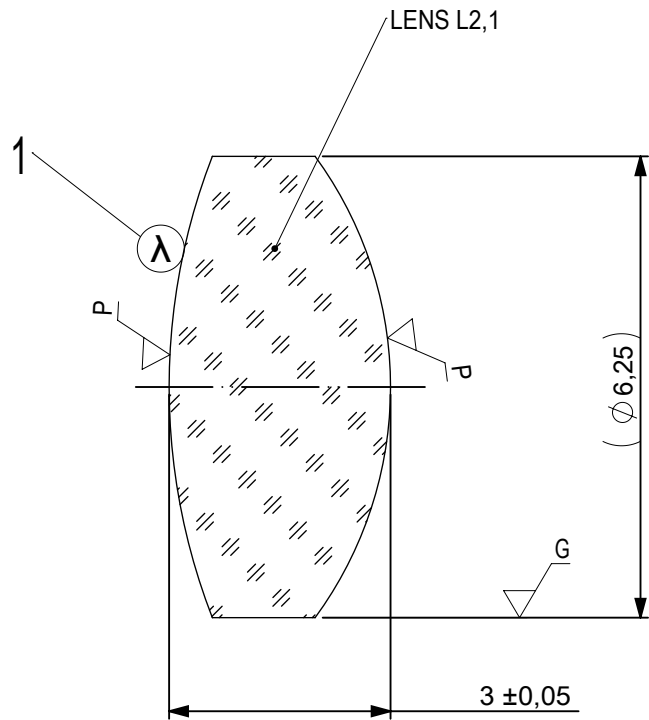


FOCAL LENGTH (EFL):  $12,5 \pm 0,13$   
 BACK FOCAL LENGTH (BFL):  $10,36$

SURFACE A	SURFACE B	SURFACE C
$\phi_e 5,625$	$\phi_e 5,625$	$\phi_e 5,625$
CEMENT: NOA 61 OR EQUIVALENT		

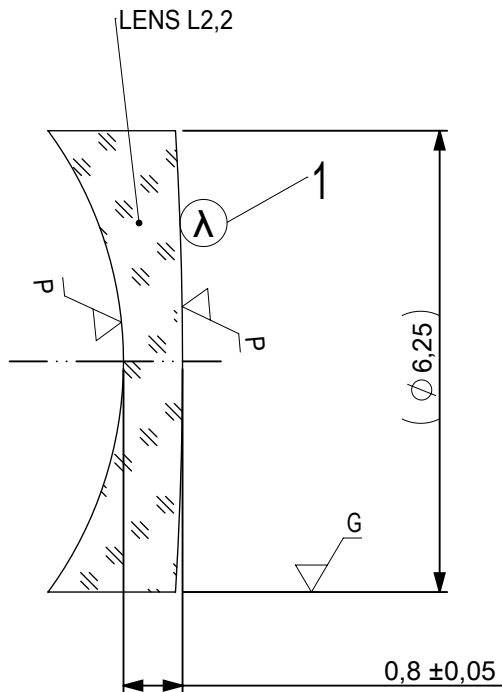
PROTECTIVE CHAMFERS AS NEEDED		FIRST ANGLE PROJECTION	 <b>Edmund Optics®</b>			
ROHS: COMPLIANT	SCALE: NONE $\lambda = 587,6\text{nm}$					
SPECIFICATIONS SUBJECT TO CHANGE WITHOUT NOTICE. DIMENSIONS ARE FOR REFERENCE ONLY			TITLE	6,25mm Dia, x 12,5mm FL, YAG-BBAR Coated, Achromatic Lens		
FOR INFORMATION ONLY: DO NOT MANUFACTURE PARTS TO THIS DRAWING			ALL DIMS IN:	mm	DWG NO	
INDICATIONS IN ACCORDANCE WITH ISO 10110				33202	SHEET SIZE <b>A4</b>	SHEET 1 OF 3



- 1 AR COATING: YAG-BBAR  
 R(ABS) < 0,25% @ 532nm @ 0° AOI  
 R(ABS) < 0,25% @ 1064nm @ 0° AOI  
 R(AVG) < 1,0% FROM 500-1100nm @ 0° AOI

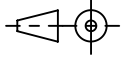
LEFT SURFACE	MATERIAL	RIGHT SURFACE
R 8,63±0,009 CX Øe 5,625 3/ 3 (0,5) λ=632,8 nm 4/ - 5/ 40 - 20 (MIL-PRF-13830B) 6/ -	GLASS N-BaF10 670/472	R 5,29±0,005 CX Øe 5,625 3/ 3 (0,5) λ=632,8 nm 4/ - 5/ 40 - 20 (MIL-PRF-13830B) 6/ -

PROTECTIVE CHAMFERS AS NEEDED		FIRST ANGLE PROJECTION	<b>Edmund Optics®</b>	
ROHS: COMPLIANT	SCALE: NONE λ = 587,6nm			
SPECIFICATIONS SUBJECT TO CHANGE WITHOUT NOTICE. DIMENSIONS ARE FOR REFERENCE ONLY			TITLE	6,25mm Dia, x 12,5mm FL, YAG-BBAR Coated, Achromatic Lens
FOR INFORMATION ONLY: DO NOT MANUFACTURE PARTS TO THIS DRAWING			ALL DIMS IN: mm	DWG NO
INDICATIONS IN ACCORDANCE WITH ISO 10110			SHEET SIZE	A4
				SHEET 2 OF 3



- 1 AR COATING: YAG-BBAR  
 R(ABS) < 0,25% @ 532nm @ 0° AOI  
 R(ABS) < 0,25% @ 1064nm @ 0° AOI  
 R(AVG) < 1,0% FROM 500-1100nm @ 0° AOI

LEFT SURFACE	MATERIAL	RIGHT SURFACE
R 5,29±0,005 CV	GLASS N-SF10 728/284	R 51,17±0,051 CX
Øe 5,625		Øe 5,625
3/ 3 (0,5) λ=632,8 nm		3/ 3 (0,5) λ=632,8 nm
4/ -		4/ -
5/ 40 - 20 (MIL-PRF-13830B)		5/ 40 - 20 (MIL-PRF-13830B)
6/ -		6/ -

PROTECTIVE CHAMFERS AS NEEDED		FIRST ANGLE PROJECTION	 <b>Edmund Optics®</b>			
ROHS: COMPLIANT	SCALE: NONE λ = 587,6nm					
SPECIFICATIONS SUBJECT TO CHANGE WITHOUT NOTICE. DIMENSIONS ARE FOR REFERENCE ONLY			TITLE	6,25mm Dia, x 12,5mm FL, YAG-BBAR Coated, Achromatic Lens		
FOR INFORMATION ONLY: DO NOT MANUFACTURE PARTS TO THIS DRAWING			ALL DIMS IN:	mm	DWG NO	
INDICATIONS IN ACCORDANCE WITH ISO 10110				33202	SHEET SIZE A4	SHEET 3 OF 3