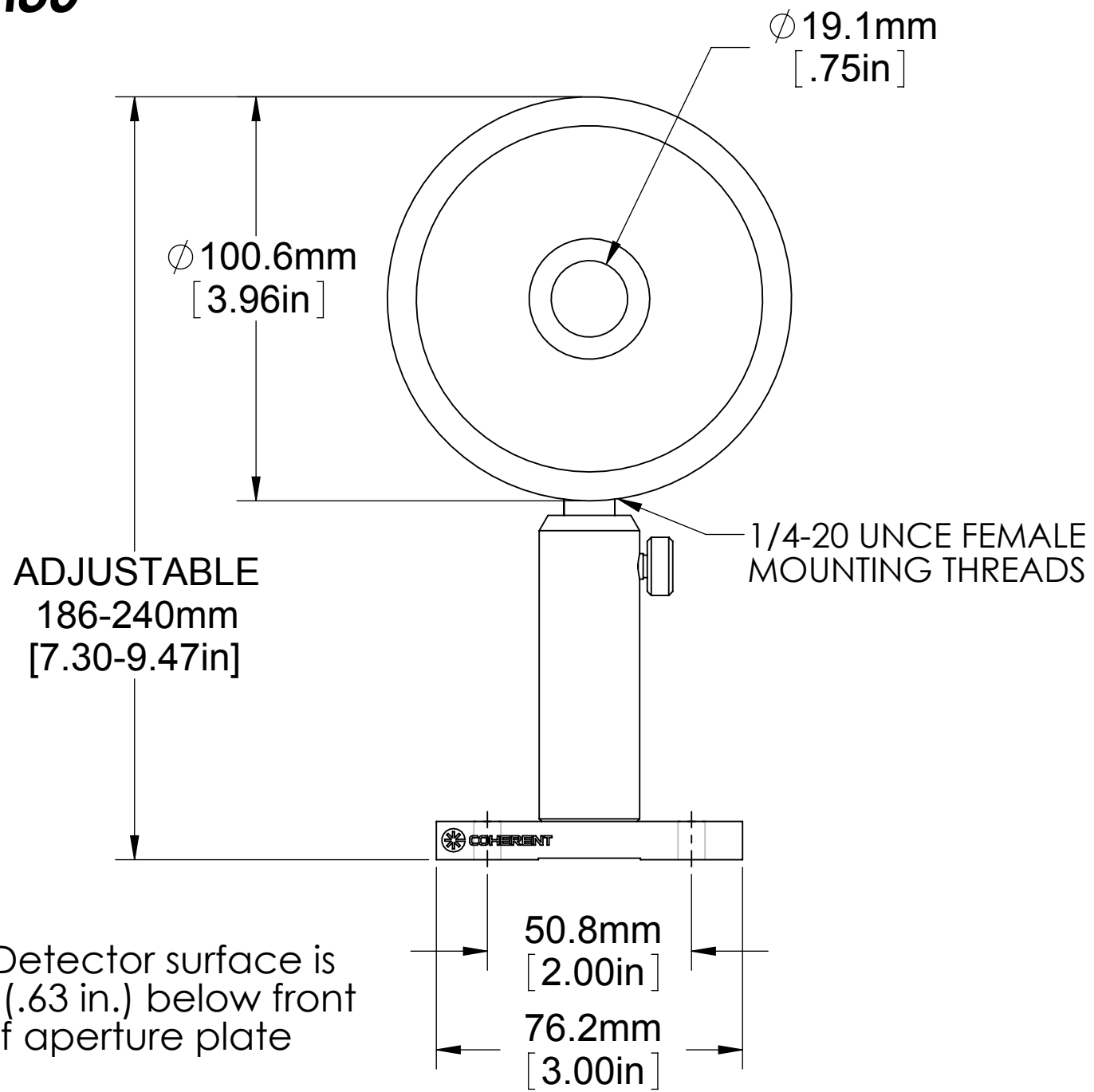


PM30



Note: Detector surface is 16mm (.63 in.) below front face of aperture plate

