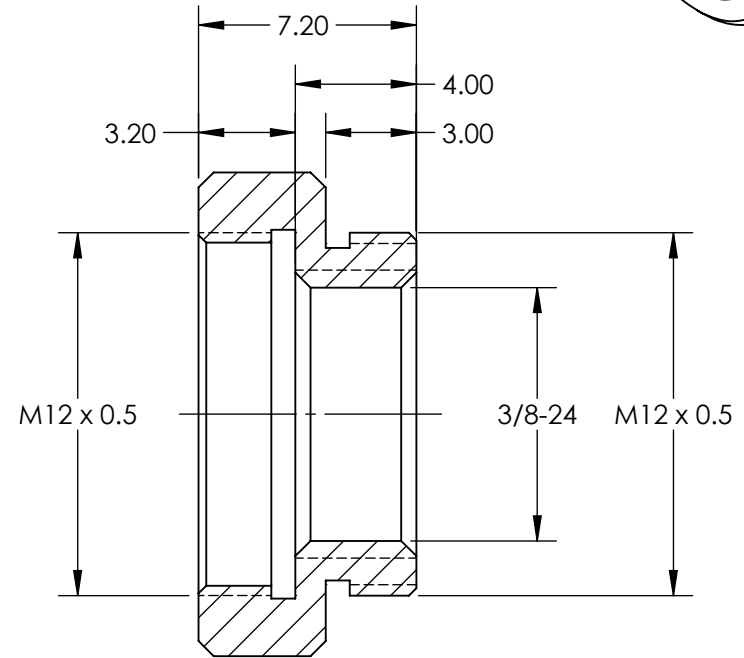
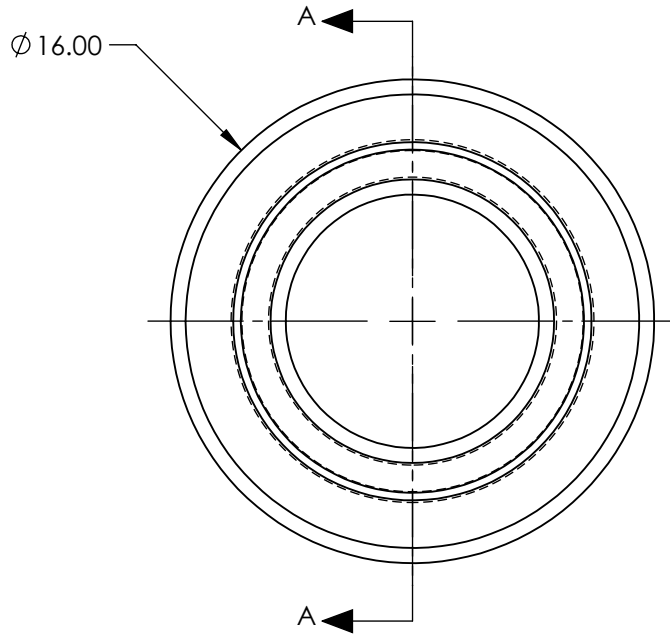
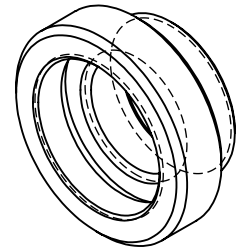


NOTES:

1. MATERIAL: BLACK ANODIZED ALUMINUM
2. RoHS: COMPLIANT

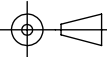


SECTION A-A

SPECIFICATIONS SUBJECT TO CHANGE WITHOUT NOTICE
DIMENSIONS ARE FOR REFERENCE ONLY

**FOR INFORMATION ONLY:
DO NOT MANUFACTURE
PARTS TO THIS DRAWING**

EO® Edmund Optics®

THIRD ANGLE PROJECTION 		TITLE	S-MOUNT CONNECTOR INSERT HOUSING	
ALL DIMS IN	mm	DWG NO	66384	SHEET 1 OF 1